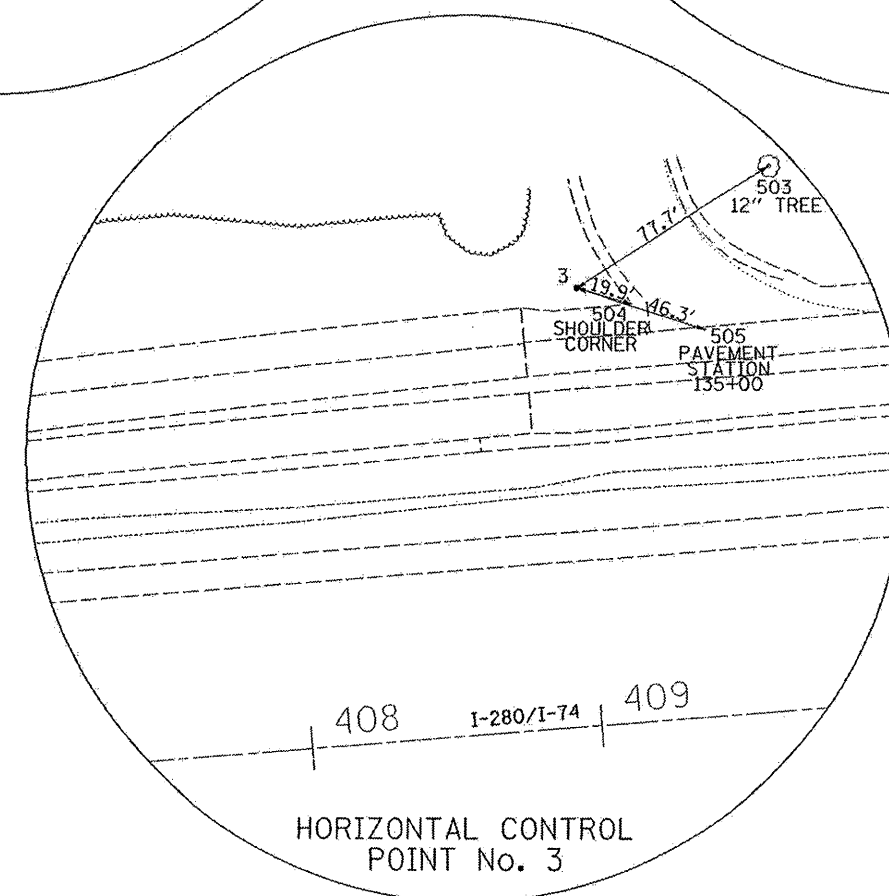
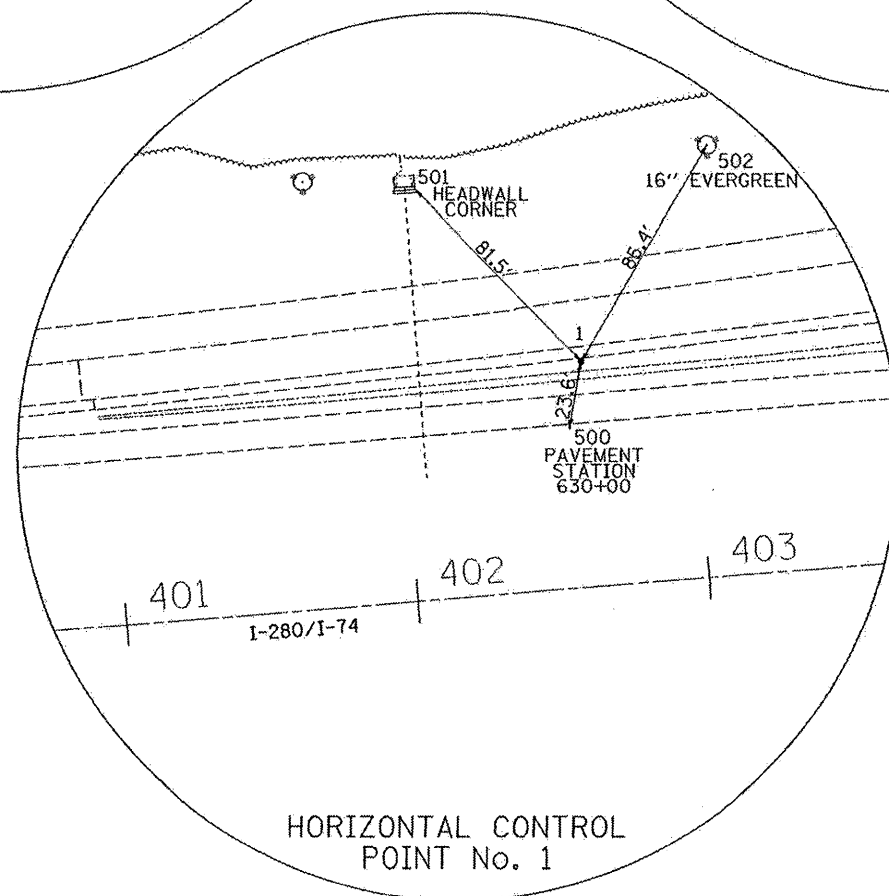
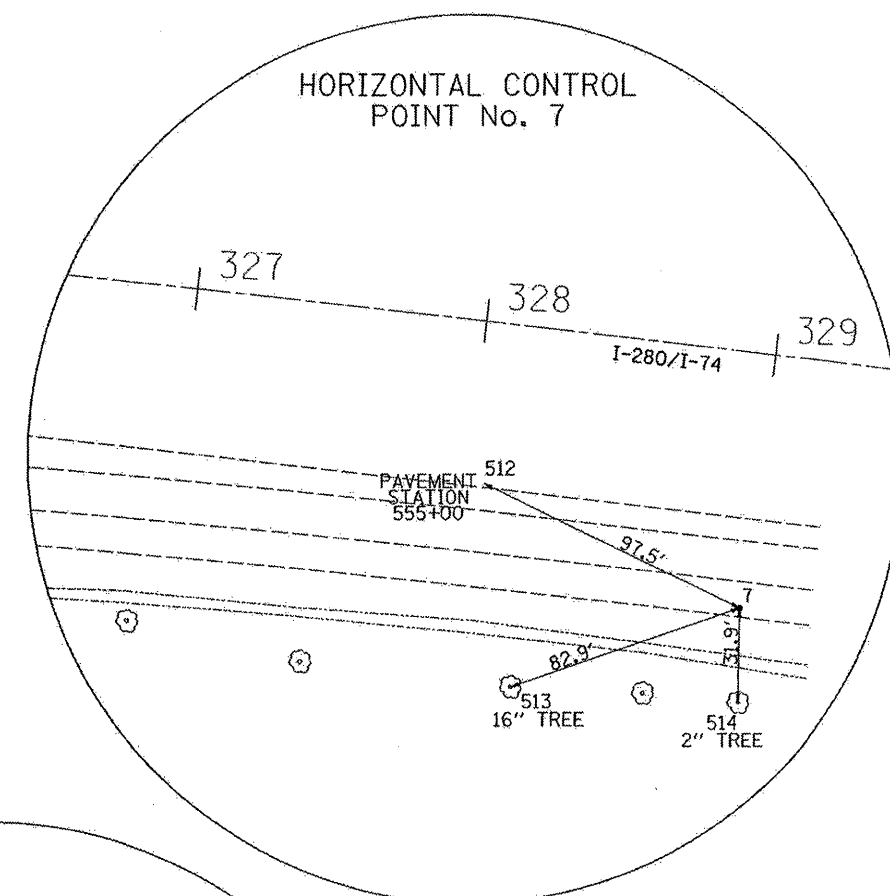
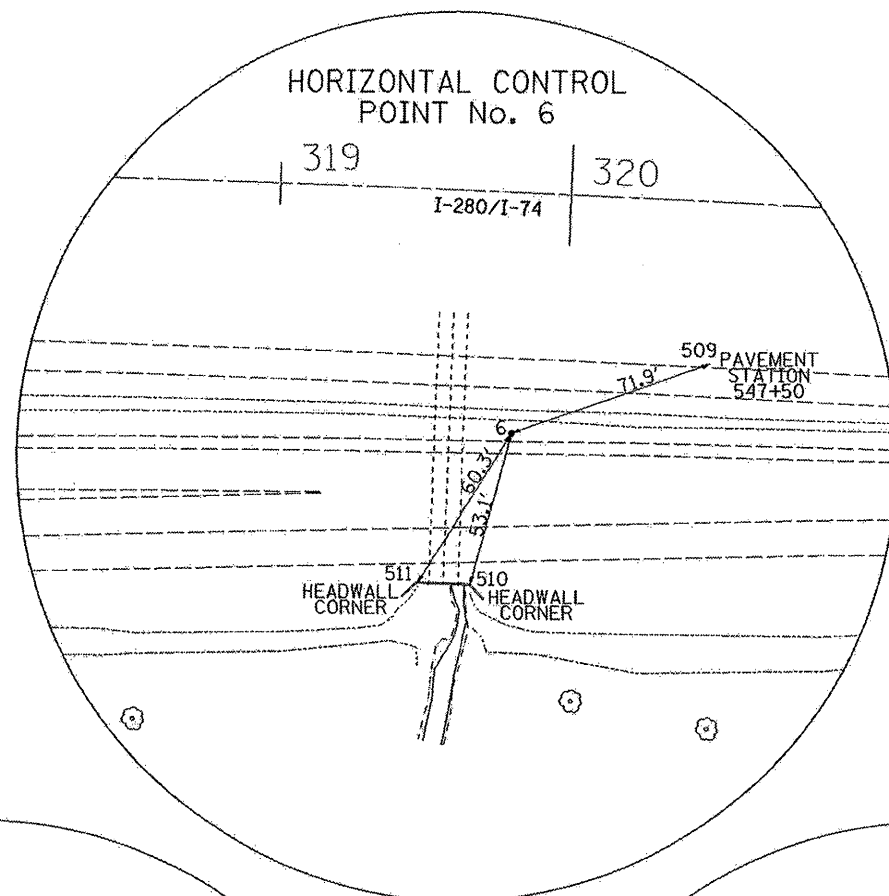
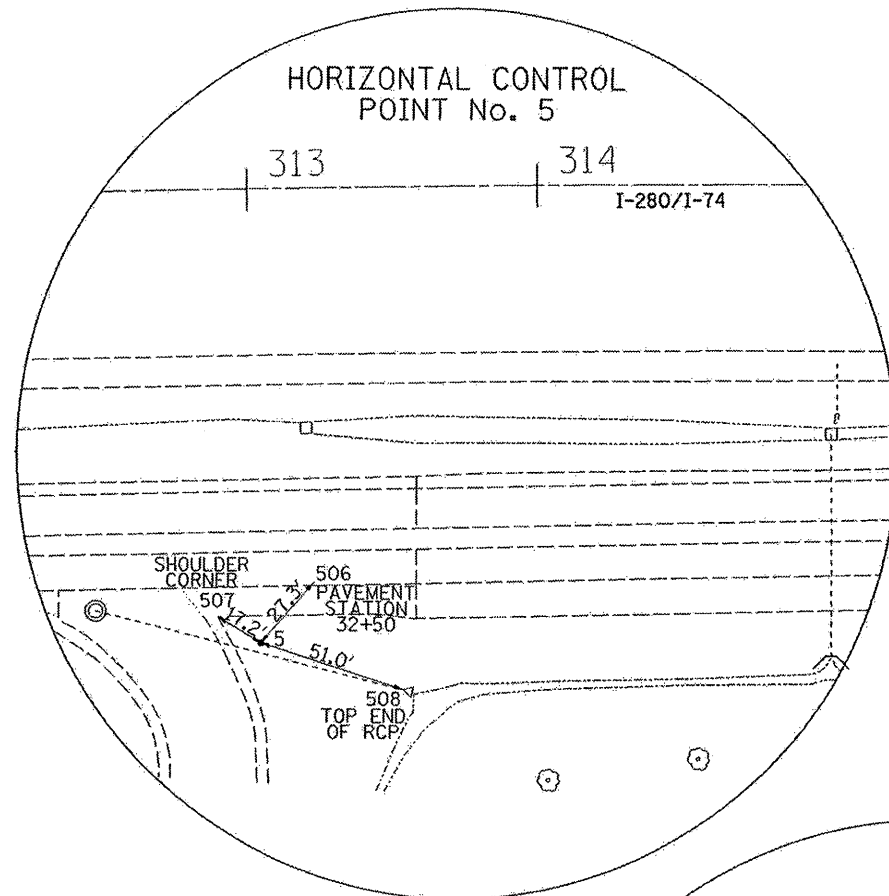


# HORIZONTAL AND VERTICAL CONTROL



FILE NAME = c:\projects\p203008\d030806hvc.dgn	USER NAME = dttzlerse	DESIGNED -	REVISED -
		DRAWN -	REVISED -
		CHECKED -	REVISED -
		DATE -	REVISED -

**STATE OF ILLINOIS  
DEPARTMENT OF TRANSPORTATION**

<b>HORIZONTAL AND VERTICAL CONTROL</b>			
SCALE:	SHEET NO.	OF SHEETS	STA. TO STA.

F.A.I. RTE. 74	SECTION (81-3WSM-1)	COUNTY ROCK ISLAND	TOTAL SHEETS 7	SHEET NO. 7
FED. ROAD DIST. NO.		ILLINOIS FED. AID PROJECT		

CONTRACT NO. 64075