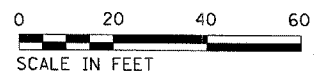
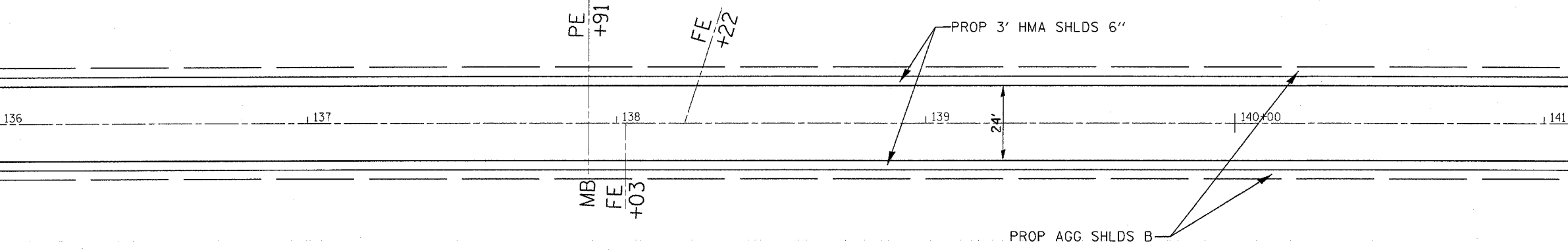


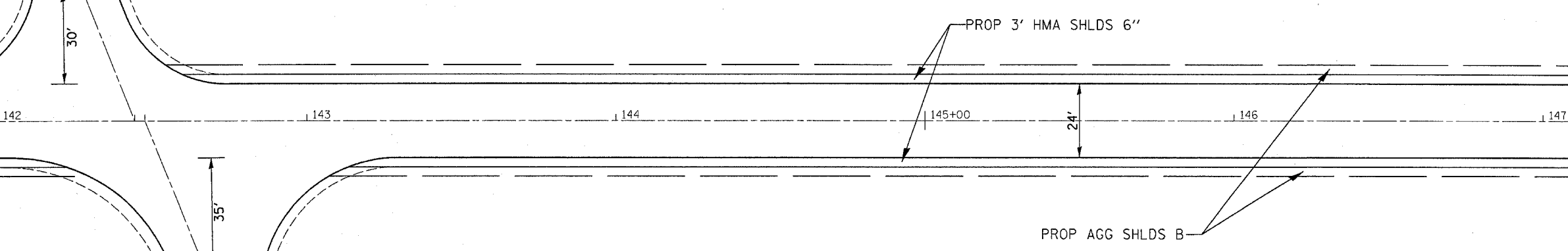
MATCH LINE STA. 136 + 00

MATCH LINE STA. 142 + 00



MATCH LINE STA. 142 + 00

MATCH LINE STA. 148 + 00



FILE NAME =  
c:\projects\ed03186\sheet.dgn

USER NAME = duncanbd  
PLOT SCALE = 20.000' / IN.  
PLOT DATE = Mar 24, 2008 - 07:31:33 AM

DESIGNED -  
DRAWN -  
CHECKED -  
DATE -

REVISED -  
REVISED -  
REVISED -  
REVISED -

STATE OF ILLINOIS  
DEPARTMENT OF TRANSPORTATION

PLAN VIEW

SCALE: 20 SHEET NO. OF SHEETS STA. 136+00 TO STA. 148+00

F.A.P. RTE.	SECTION	COUNTY	TOTAL SHEETS	SHEET NO.
567	(7,6)RS-2	DEKALB	52	21
CONTRACT NO. 66633				
FED. ROAD DIST. NO. ILLINOIS FED. AID PROJECT				