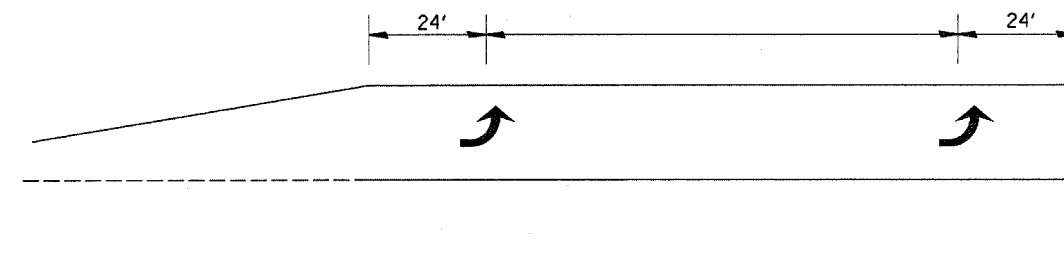
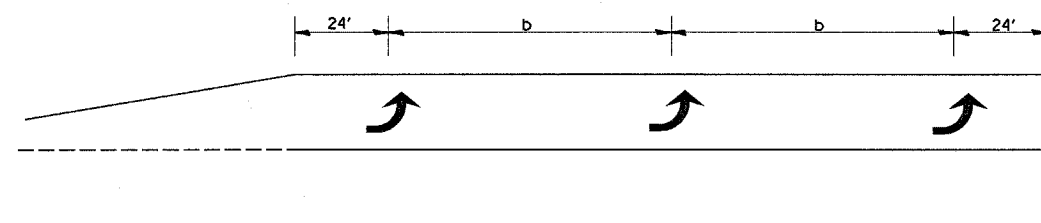


99' AND UNDER

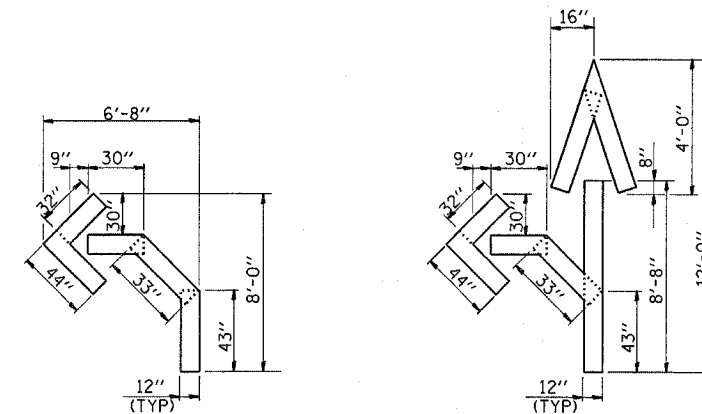


100' TO 149'



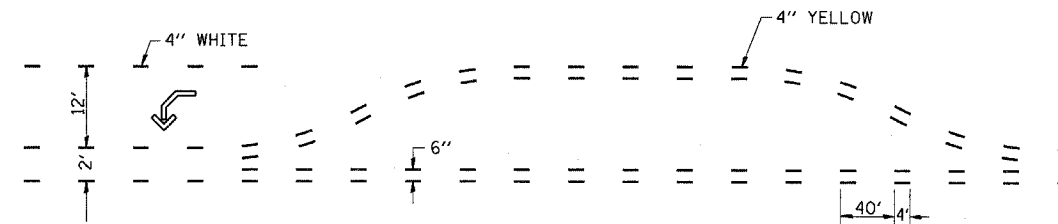
150' AND LONGER

**TYPICAL PLACEMENT OF ARROWS
IN TURN LANES**

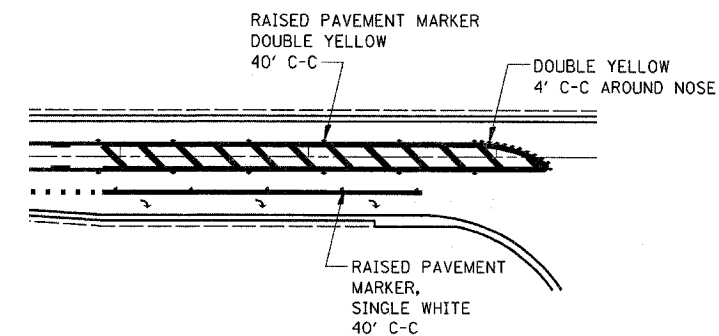


QUANTITY
12" LINE = 16 LIN. FT.
OR 4" LINE = 48 LIN. FT.

QUANTITY
12" LINE = 29 LIN. FT.
OR 4" LINE = 87 LIN. FT.



SHORT-TERM PAVEMENT MARKING FOR MEDIANS AND ARROWS



**RAISED REFLECTIVE PAVEMENT MARKERS
@ RIGHT TURN LANE**

FILE NAME = c:\projects\ed03106\details.dgn	USER NAME = dunoenbd	DESIGNED -	REVISED -	STATE OF ILLINOIS DEPARTMENT OF TRANSPORTATION	DETAILS				F.A.P. RTE. 567	SECTION (7,6)RS-2	COUNTY DEKALB	TOTAL SHEETS 52	SHEET NO. 51
	PLOT SCALE = 50.0000' / IN.	DRAWN -	REVISED -		SCALE:	SHEET NO.	OF	SHEETS	STA.	TO STA.	CONTRACT NO. 66633		
	PLOT DATE = Mar 21, 2008 - 03:43:17 PM	CHECKED -	REVISED -		FED. ROAD DIST. NO. ILLINOIS FED. AID PROJECT								