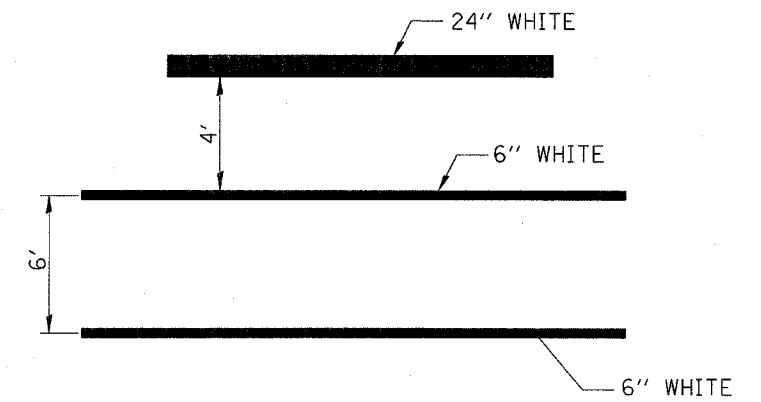
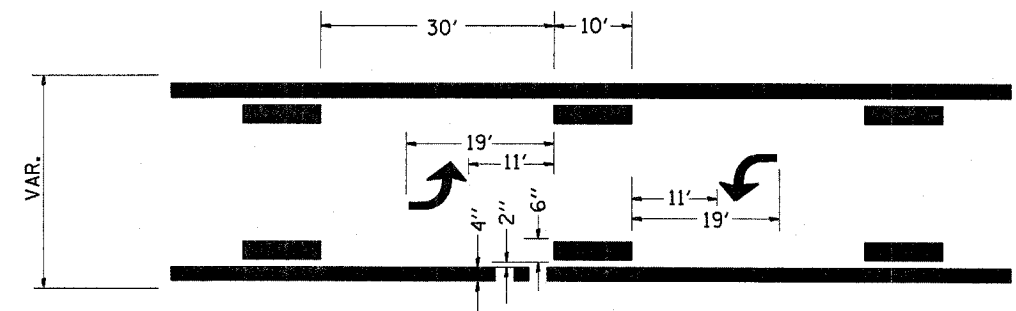


PAVEMENT MARKING



TYPICAL SPACING DETAIL FOR CROSSWALKS AND STOP BARS



TYPICAL APPLICATION @ BI-DIRECTIONAL TURN LANE

FILE NAME = c:\projects\ed03106\details.dgn	USER NAME = dunoanbd	DESIGNED -	REVISED -	STATE OF ILLINOIS DEPARTMENT OF TRANSPORTATION	DETAILS	F.A.P. RTE. 567	SECTION (7,6)RS-2	COUNTY DEKALB	TOTAL SHEETS 52	SHEET NO. 52
	PLOT SCALE = 50.0000' / IN.	DRAWN -	REVISED -			CONTRACT NO. 66633				
	PLOT DATE = Mar 21, 2008 - 03:42:28 PM	CHECKED -	REVISED -			SCALE:	SHEET NO. OF SHEETS	STA. TO STA.	FED. ROAD DIST. NO.	ILLINOIS FED. AID PROJECT