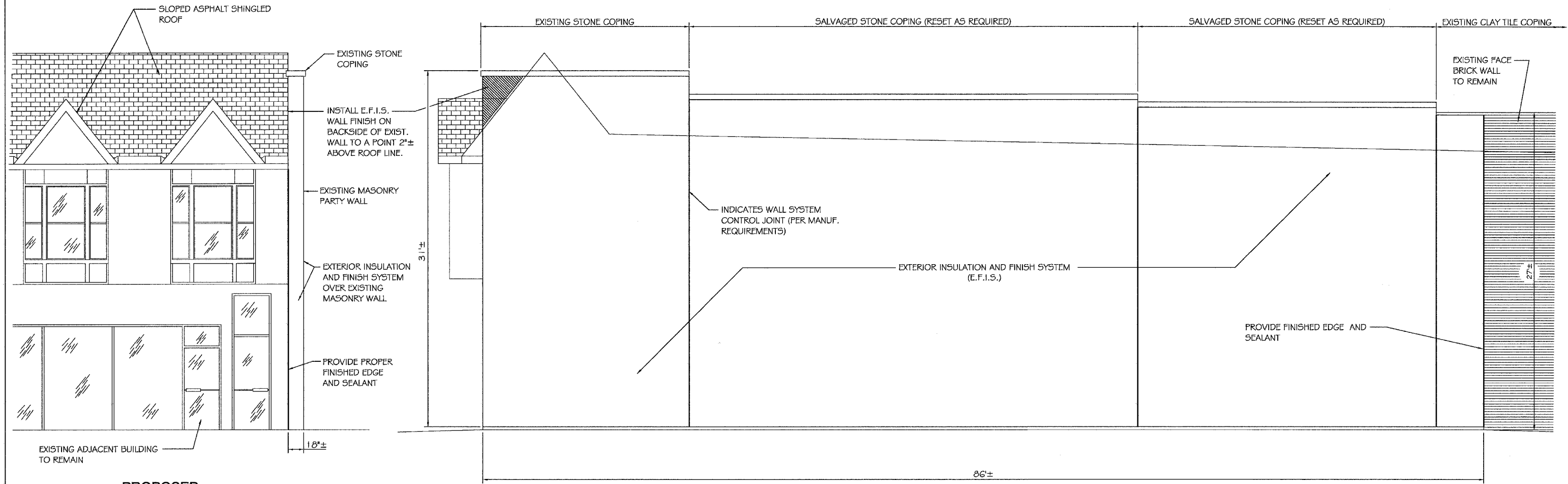


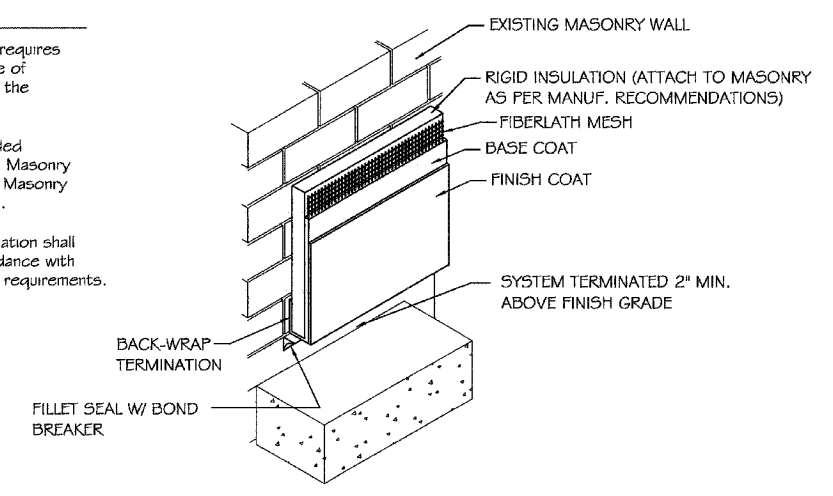
F.A.P. RTE.	SECTION	COUNTY	TOTAL SHEETS	SHEET NO.
324	(7) DM	DEKALB	24	6
STA. TO STA.		FED. ROAD DIST. NO. 3 ILLINOIS FED. AID PROJECT		



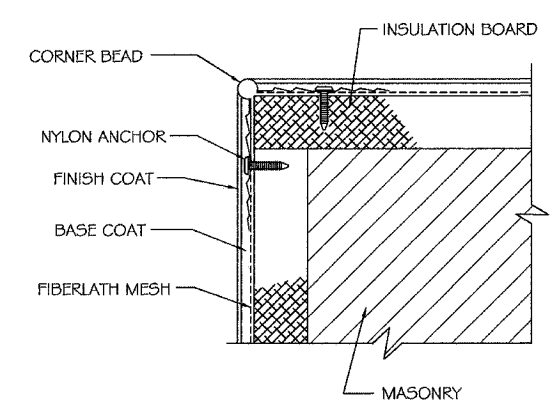
PROPOSED SOUTH BUILDING ELEVATION
NOT TO SCALE

PROPOSED EAST BUILDING ELEVATION
NOT TO SCALE

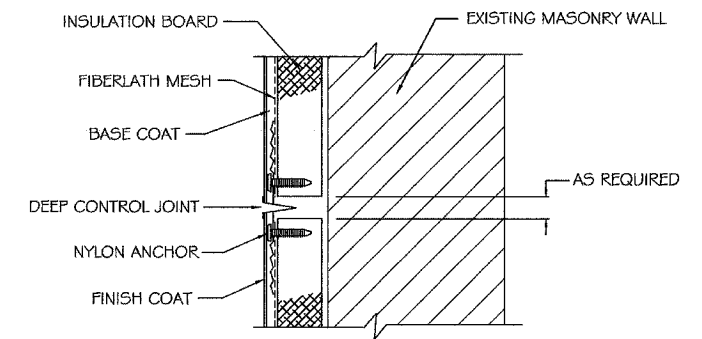
- NOTES:**
- 1) Masonry typically requires two coats or more of base coat to level the surface.
 - 2) Primer recommended over base coat on Masonry to minimize risk of Masonry joint read-through.
 - 3) E.F.I.S. wall installation shall be in strict accordance with the manufacturers requirements.



DETAIL E.F.I.S. WALL INSTALLATION
NOT TO SCALE



DETAIL E.F.I.S. WALL INSTALLATION @ CORNER
NOT TO SCALE



DETAIL E.F.I.S. WALL CONTROL JOINT
NOT TO SCALE

PLOT DATE = 4/27/17
 PLOT TIME = 7:06:45 AM
 PLOT SCALE = AS NOTED
 USER NAME = ARR

REVISIONS	
NAME	DATE

ILLINOIS DEPARTMENT OF TRANSPORTATION
PROPOSED BUILDING ELEVATIONS
 FAP 324 (IL 38)
 SECTION (7) DM
 DEKALB COUNTY

SCALE: VERT. _____
 HORIZ. _____
 DATE _____

DRAWN BY A.R.R.
 CHECKED BY J.K.C.