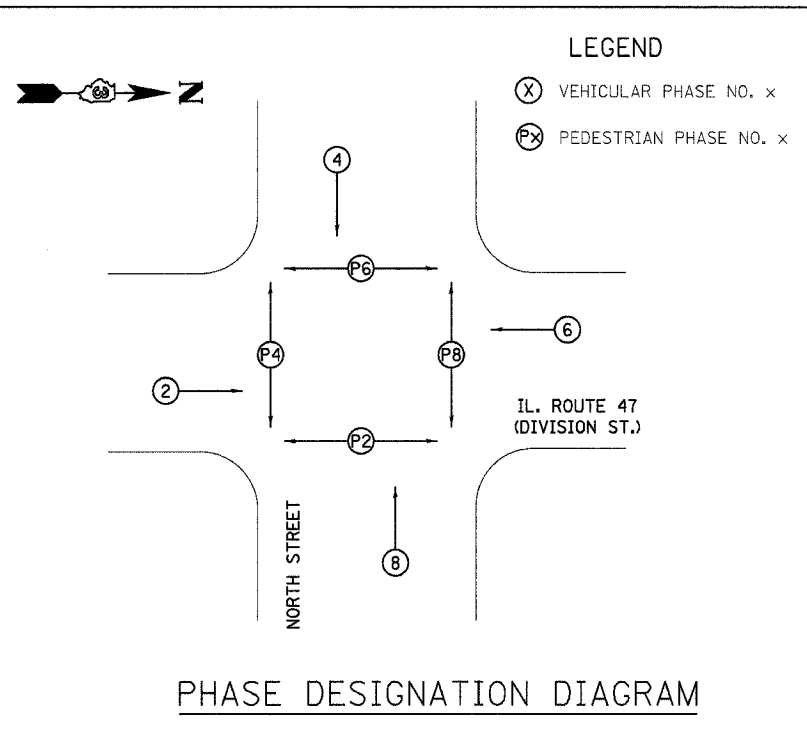
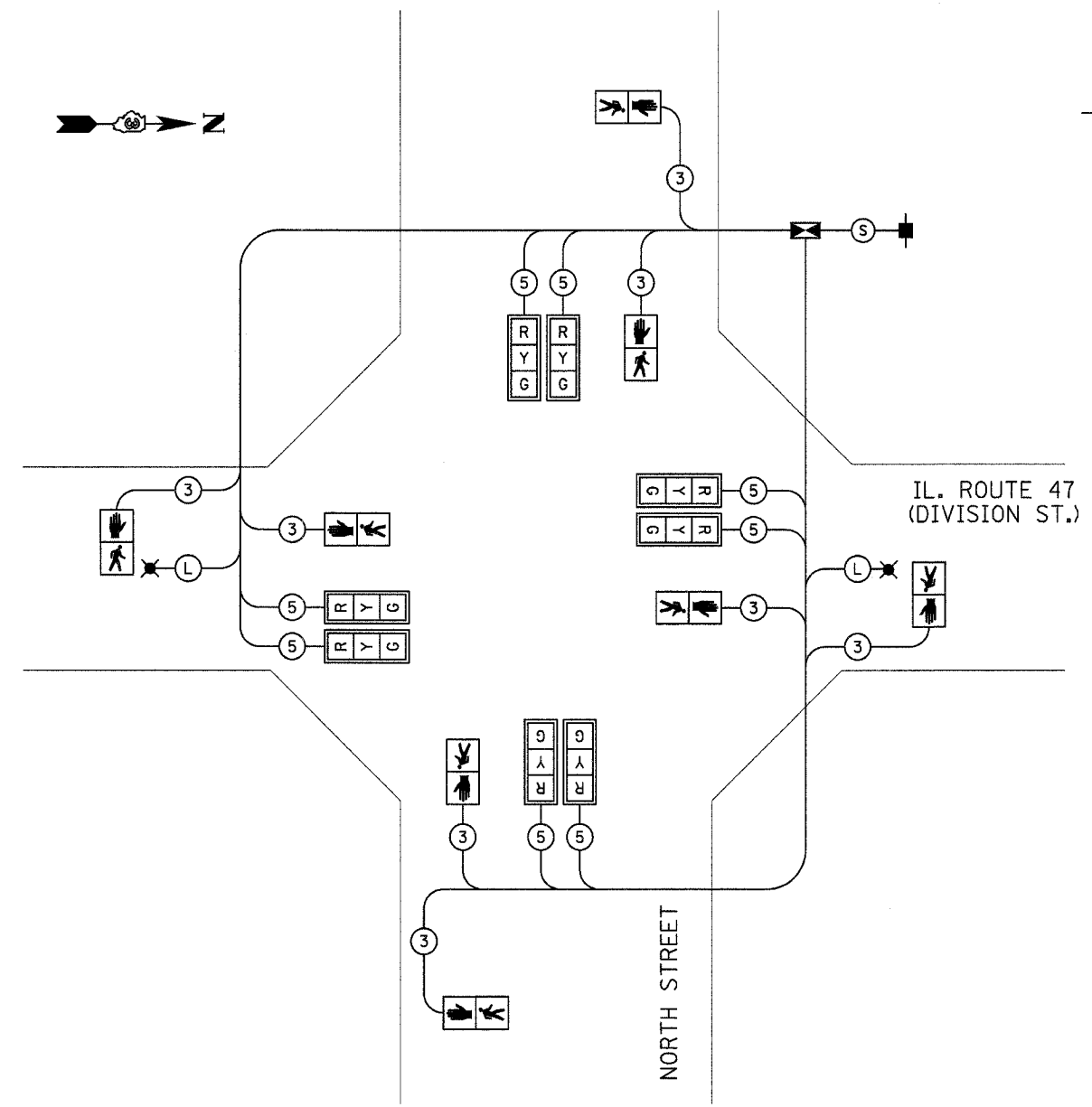


F.A.P. RTE.	SECTION	COUNTY	TOTAL SHEETS	SHEET NO.
326	(111CS) W&RS-2I	GRUNDY	85	41
STA. 18+00		TO STA. 24+10		
FED. ROAD DIST. NO. 1		ILLINOIS FED. AID PROJECT		
CONTRACT NUMBER: 66720				



TEMPORARY CABLE DIAGRAM LEGEND

- ☒ TEMPORARY CONTROLLER
- TEMPORARY SERVICE INSTALLATION
- ⎓ (R, Y, G) TEMPORARY TRAFFIC SIGNAL HEAD W/ BACKPLATE
- ⊙ DENOTES NUMBER OF CONDUCTORS
- ⎓ (P) TEMPORARY PEDESTRIAN SIGNAL HEAD
- ✖ TEMPORARY LUMINAIRE, SODIUM VAPOR, 250 WATT



- Ⓢ **SERVICE CABLE**
ELECTRIC CABLE IN CONDUIT, SERVICE, NO.6 3C
- Ⓛ **LIGHTING CABLE**
600V (XLP-TYPE USE) 3 - 1/C NO.10

REMOVE EXISTING TRAFFIC SIGNAL EQUIPMENT 1 EACH

THE FOLLOWING TRAFFIC SIGNAL EQUIPMENT SHALL BE REMOVED AND DELIVERED BY THE CONTRACTOR TO THE CITY OF MORRIS, IF IT IS NOT BEING USED FOR TEMPORARY TRAFFIC SIGNAL INSTALLATION.

- 1 EACH CONTROLLER AND CABINET COMPLETE
- 2 EACH MAST ARM ASSEMBLY AND POLE
- 6 EACH TRAFFIC SIGNAL POST
- 12 EACH SIGNAL HEAD

THE FOLLOWING ITEMS SHALL BE REMOVED AND DISPOSED OF BY THE CONTRACTOR OFF THE RIGHT-OF-WAY. THE SALVAGE VALUE OF THIS EQUIPMENT SHALL BE REFLECTED IN THE UNIT BID PRICE OF REMOVE EXISTING TRAFFIC SIGNAL EQUIPMENT.

- 1 EACH SERVICE INSTALLATION
- 2 EACH JUNCTION BOX
- ALL WIRES

SCHEDULE OF REMOVAL ITEMS

ITEM	UNIT	QUANTITIES
REMOVE EXISTING CONCRETE FOUNDATION	EACH	9
REMOVE EXISTING HANDHOLE	EACH	3

REVISIONS	
NAME	DATE

ILLINOIS DEPARTMENT OF TRANSPORTATION

PROPOSED TEMPORARY CABLE DIAGRAM
IL. 47 (DIVISION ST.) / NORTH ST.

SCALE: NONE
DATE: JANUARY 2008

DRAWN BY: JVR
CHECKED BY: FML

\\plans\North_Temp_Cable.dgn 2/18/2008 6:41:03 PM