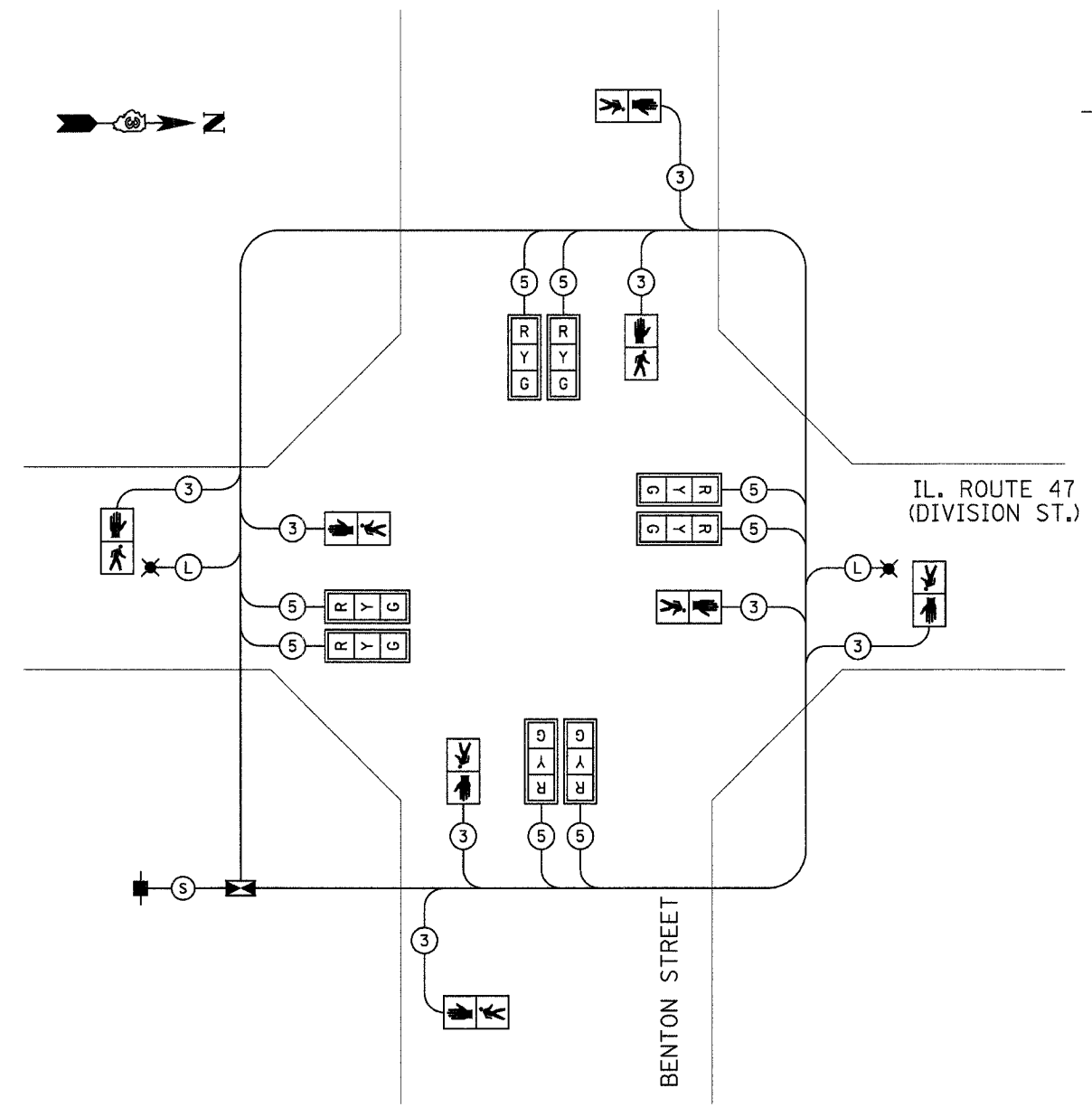


TEMPORARY CABLE DIAGRAM LEGEND

- TEMPORARY CONTROLLER
- TEMPORARY SERVICE INSTALLATION
- TEMPORARY TRAFFIC SIGNAL HEAD W/ BACKPLATE
- DENOTES NUMBER OF CONDUCTORS
- TEMPORARY PEDESTRIAN SIGNAL HEAD
- TEMPORARY LUMINAIRE, SODIUM VAPOR, 250 WATT



- (S) **SERVICE CABLE**
ELECTRIC CABLE IN CONDUIT, SERVICE, NO.6 3C
- (L) **LIGHTING CABLE**
600V (XLP-TYPE USE) 3 - 1/C NO.10

REMOVE EXISTING TRAFFIC SIGNAL EQUIPMENT 1 EACH

THE FOLLOWING TRAFFIC SIGNAL EQUIPMENT SHALL BE REMOVED AND DELIVERED BY THE CONTRACTOR TO THE CITY OF MORRIS, IF IT IS NOT BEING USED FOR TEMPORARY TRAFFIC SIGNAL INSTALLATION.

- 1 EACH CONTROLLER AND CABINET COMPLETE
- 2 EACH MAST ARM ASSEMBLY AND POLE
- 12 EACH SIGNAL HEAD
- 8 EACH PEDESTRIAN SIGNAL HEAD

THE FOLLOWING ITEMS SHALL BE REMOVED AND DISPOSED OF BY THE CONTRACTOR OFF THE RIGHT-OF-WAY. THE SALVAGE VALUE OF THIS EQUIPMENT SHALL BE REFLECTED IN THE UNIT BID PRICE OF REMOVE EXISTING TRAFFIC SIGNAL EQUIPMENT.

- 1 EACH SERVICE INSTALLATION
- 6 EACH TRAFFIC SIGNAL POST
- 2 EACH PEDESTRIAN PUSH BUTTON POST
- ALL WIRES

SCHEDULE OF REMOVAL ITEMS

ITEM	UNIT	QUANTITIES
REMOVE EXISTING CONCRETE FOUNDATION	EACH	11
REMOVE EXISTING HANDHOLE	EACH	7

REVISIONS	
NAME	DATE

ILLINOIS DEPARTMENT OF TRANSPORTATION

PROPOSED TEMPORARY CABLE DIAGRAM
IL. 47 (DIVISION ST.) / BENTON ST.

SCALE: NONE
DATE: JANUARY 2008

DRAWN BY: JVR
CHECKED BY: FML

\\plans\Benton_emo_Cable.dgn 2/19/2008 12:27:57 PM