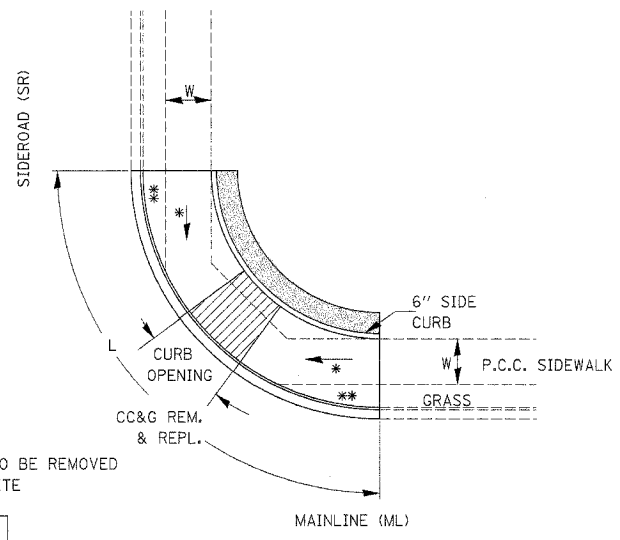


F.A.P. RTE.	SECTION	COUNTY	TOTAL SHEET NO.
326	(111CS) W&RS-21	GRUNDY	85
STA.	TO STA.		
FED. ROAD DIST. NO.	ILLINOIS	FED. AID PROJECT	

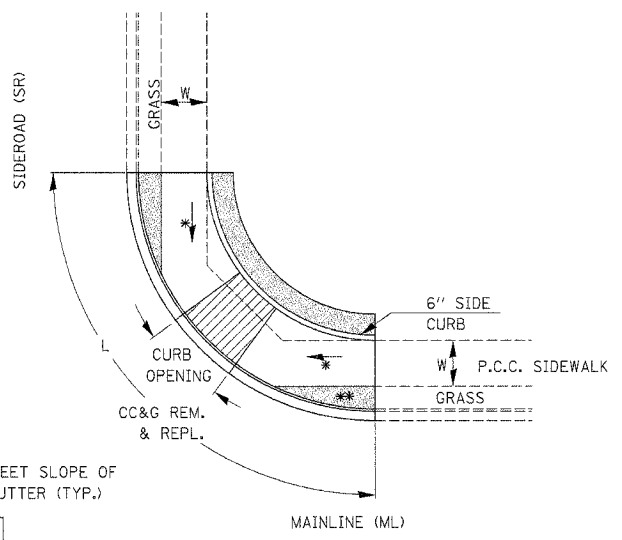


** AREA OF EXISTING GRASS TO BE REMOVED AND REPLACED WITH CONCRETE

LEGEND

	SLOPE = 2%
*	SLOPE = 1:12 MAX.

METHOD 6
424-24
ADA SIDEWALK ACCESSIBILITY RAMPS

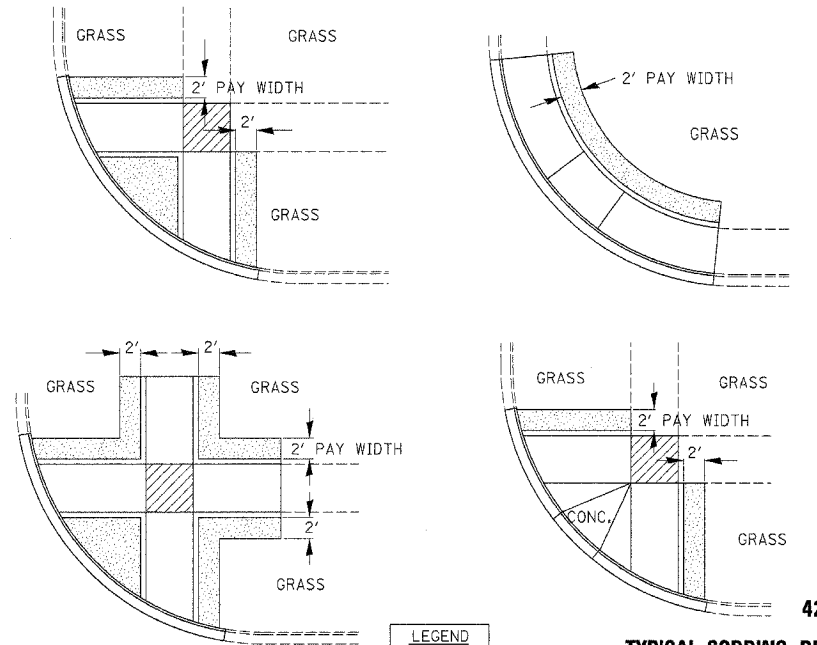


** SOD TO BE SLOPED TO MEET SLOPE OF SIDEWALK AND CURB & GUTTER (TYP.)

LEGEND

	SLOPE = 2%
*	SLOPE = 1:12 MAX.

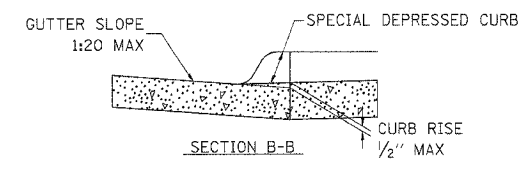
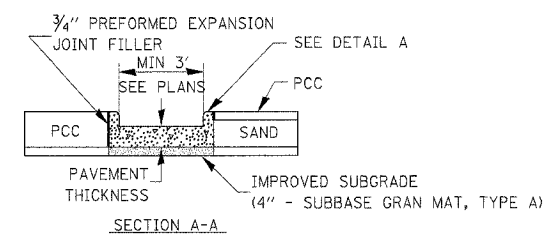
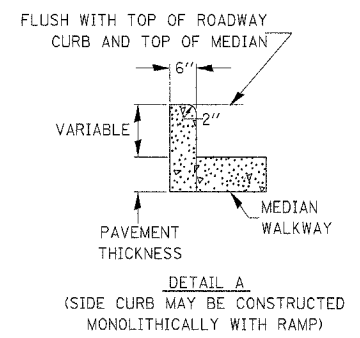
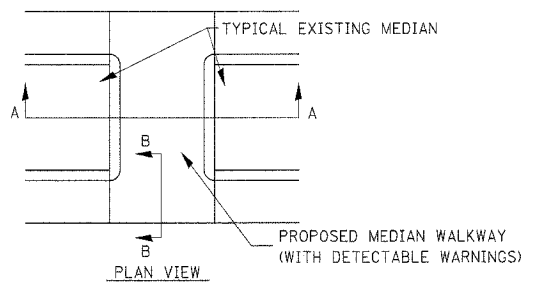
METHOD 6
424-25
ADA SIDEWALK ACCESSIBILITY RAMPS



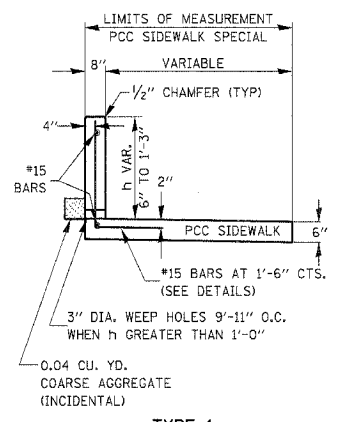
LEGEND

	SOD
--	-----

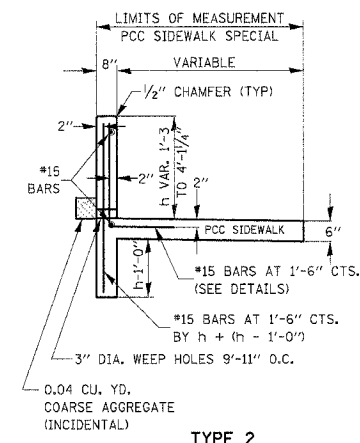
424-26
TYPICAL SODDING DETAILS FOR SIDEWALK RAMPS



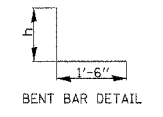
424-27
CONCRETE MEDIAN DETAIL FOR SIDEWALK RAMP



TYPE 1



TYPE 2



PCC SIDEWALK SPECIAL WITH RETAINING WALL

424-28

REVISIONS	
NAME	DATE

ILLINOIS DEPARTMENT OF TRANSPORTATION
DISTRICT DETAILS
IL ROUTE 47
GRUNDY COUNTY

SCALE: NTS
DATE: 09/2007

DRAWN BY: KHH
CHECKED BY: FML

PLOT DATE = #DATE#
FILE NAME = #FILE#
PLOT SCALE = #SCALE#
USER NAME = #USER#