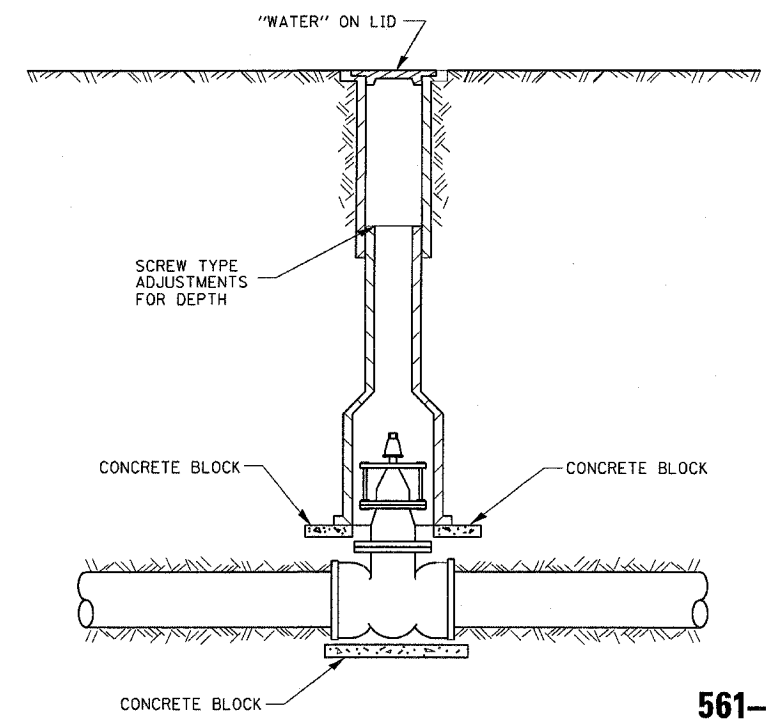
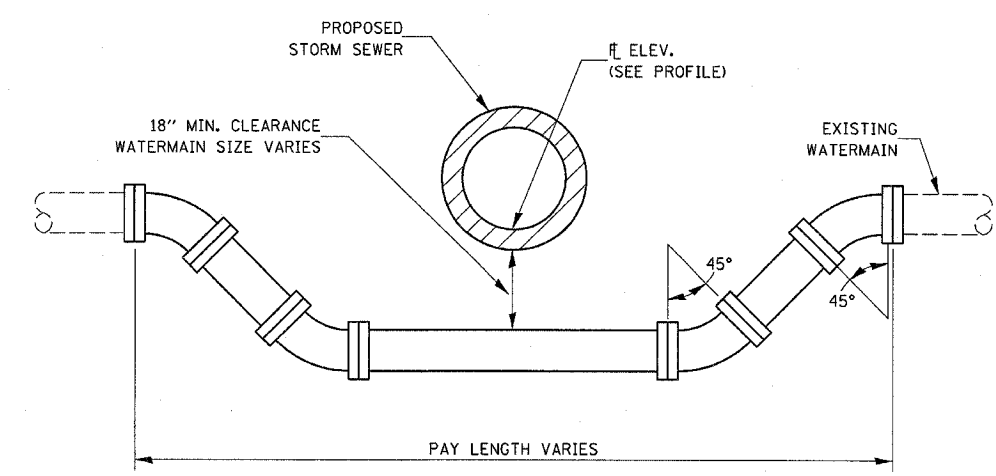


F.A.P. RTE.	SECTION	COUNTY	TOTAL SHEETS	SHEET NO.
326	(111CS) W&RS-21	GRUNDY	85	57
STA. _____		TO STA. _____		
FED. ROAD DIST. NO. _____		ILLINOIS FED. AID PROJECT		



**561-3**

TYPICAL VALVE BOX INSTALLATION



ADJUSTING WATERMAIN DETAIL

**561-7**

REVISIONS	
NAME	DATE

ILLINOIS DEPARTMENT OF TRANSPORTATION  
 DISTRICT DETAILS  
 IL ROUTE 47  
 GRUNDY COUNTY

SCALE: NTS  
 DATE: 09/2007  
 DRAWN BY: KHH  
 CHECKED BY: FML

PLOT DATE = Feb 06, 2008 - 10:28:21 AM  
 PLOT SCALE = 24.000 / IN.  
 USER NAME = schuchberg