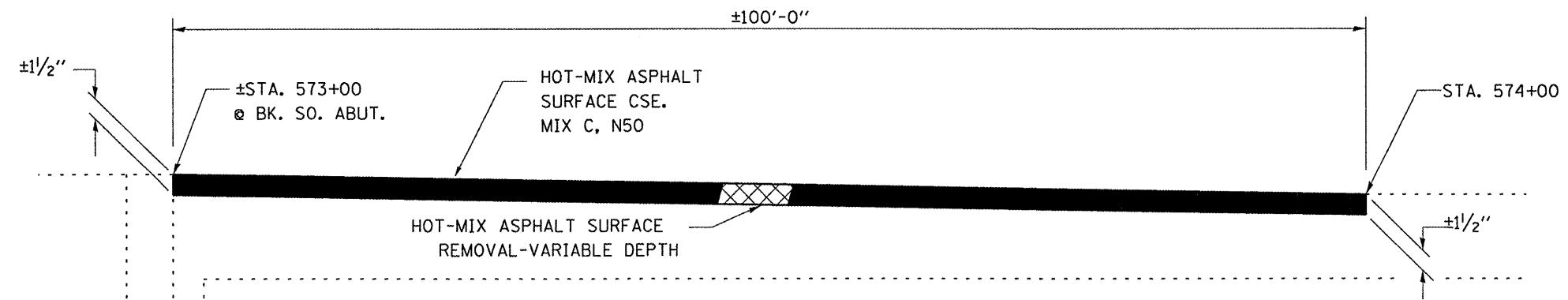


PLAN



ELEVATION

	HMA SURFACE
PG GRADE	PG64-22
MAX % RAP ALLOWABLE	15%***
DESIGN AIR VOIDS	4.0% @ N50
MIXTURE COMPOSITION	IL 12.5 or IL 9.5
FRICION	
AGGREGATE	MIXTURE C
DENSITY CONTROL METHOD	NUCLEAR/ CORES

••IF RAP OPTION IS SELECTED, THE ASPHALT CEMENT GRADE MAY NEED TO BE ADJUSTED. THIS WILL BE DETERMINED BY THE ENGINEER.

*** SEE RAP SPECIAL PROVISION.

BILL OF MATERIAL

ITEM	UNIT	TOTAL
HOT-MIX ASPHALT SURFACE REMOVAL-VARIABLE DEPTH	SQ YD	356
BITUMINOUS MATERIALS PRIME COAT	GAL	28
HOT-MIX ASPHALT SURFACE CSE. MIX C, N50	TON	30