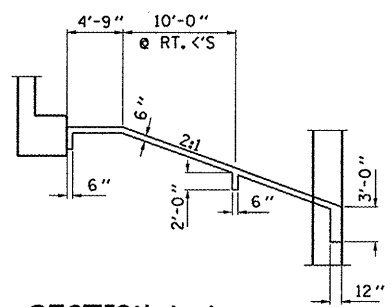
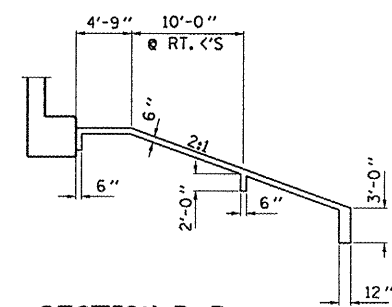


ELEVATION



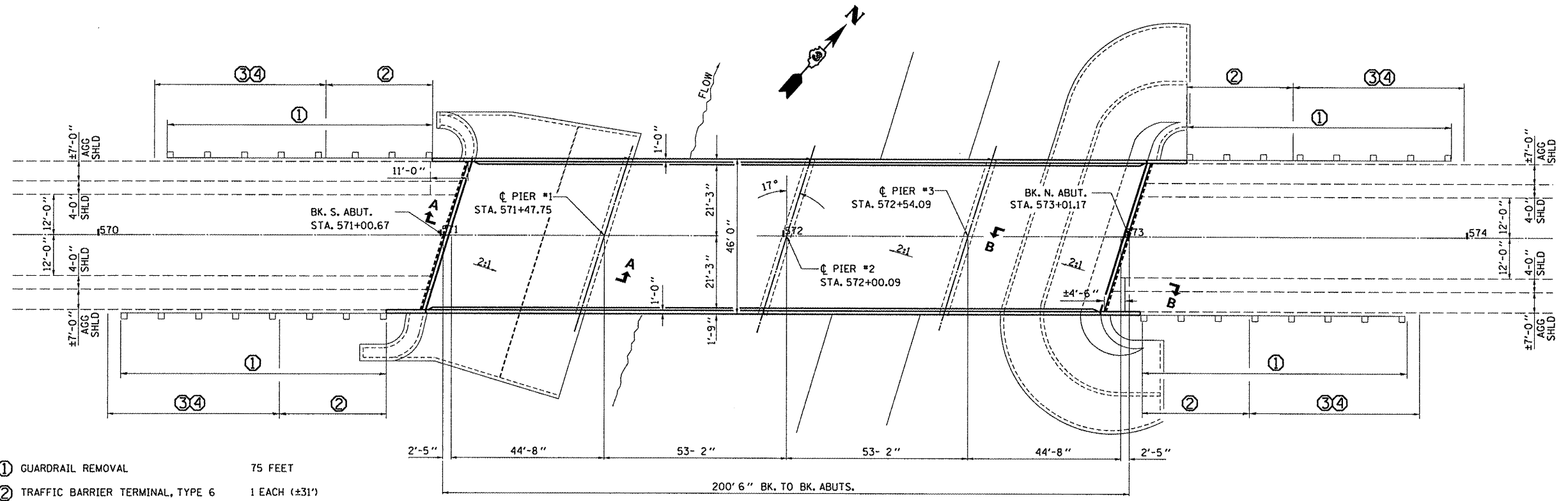
SECTION A-A



SECTION B-B

TOTAL BILL OF MATERIAL

ITEM	UNIT	TOTAL
FURNISHING AND ERECTING STRUCTURAL STEEL	POUND	3570
JACK AND REMOVE EXISTING BEARINGS	EACH	12
STRUCTURAL STEEL REMOVAL	POUND	1950
STRUCTURAL STEEL REPAIR	POUND	3440
PREFORMED JOINT STRIP SEAL	FOOT	96
ELASOMERIC BEARING ASSEMBLY, TYPE I	EACH	12
PLUG EXISTING DECK DRAINS	EACH	44
STRUCTURAL REPAIR OF CONCRETE (DEPTH EQUAL TO OR LESS THAN 5")	SO FT	519
FLOOR DRAIN EXTENSIONS	EACH	20
DECK SLAB REPAIR (FULL DEPTH, TYPE II)	SO YD	24
DECK SLAB REPAIR (PARTIAL DEPTH)	SO YD	161
REMOVE AND REPLACE ANCHOR BOLTS	EACH	1
CONCRETE REMOVAL	CU YD	13.6
CONCRETE SUPERSTRUCTURE	CU YD	13.9
REINFORCEMENT BARS, EPOXY COATED	POUND	1360
BAR SPLICER	EACH	18
ANCHOR BOLTS, 1" Ø	EACH	24
RUBBED FINISH (MODIFIED)	SO FT	258
TEMPORARY SHORING AND CRIBBING	EACH	1
SLOPE WALL REMOVAL	SO YD	17
SLOPE WALL 6"	SO YD	17
CONTROLLED LOW-STRENGTH MATERIAL	CU YD	12
DRILL AND GROUT BARS	EACH	36
JOINT SEALER	FOOT	78
PROTECTIVE COAT (SPECIAL)	SO YD	1022
REMOVING AND RE-ERECTING EXISTING RAILING	FOOT	20



PLAN

- ① GUARDRAIL REMOVAL 75 FEET
- ② TRAFFIC BARRIER TERMINAL, TYPE 6 1 EACH (±31')
- ③ TRAFFIC BARRIER TERMINAL, TYPE 1, SPECIAL (TANGENT) 1 EACH (±50')
- ④ TERMINAL MARKER DIRECT APPLIED 1 EACH

FILE NAME =	USER NAME = #USER#	DESIGNED - RON WOODSHANK	REVISED - 03/21/2008	STATE OF ILLINOIS DEPARTMENT OF TRANSPORTATION	PLAN AND ELEVATION	F.A.P. RTE. 846	SECTION (6B-1)I	COUNTY GRUNDY	TOTAL SHEETS 29	SHEET NO. 15	
#FILEL#		DRAWN - RON WOODSHANK	REVISED - 03/21/2008			CONTRACT NO. 66728					
PLOT SCALE = #SCALE#		CHECKED -	REVISED -			ILLINOIS FED. AID PROJECT					
PLOT DATE = #DATE#		DATE -	REVISED -			SCALE: SHEET NO. 1 OF 1 SHEETS STA. 571+00.67 TO STA. 573+01.17					