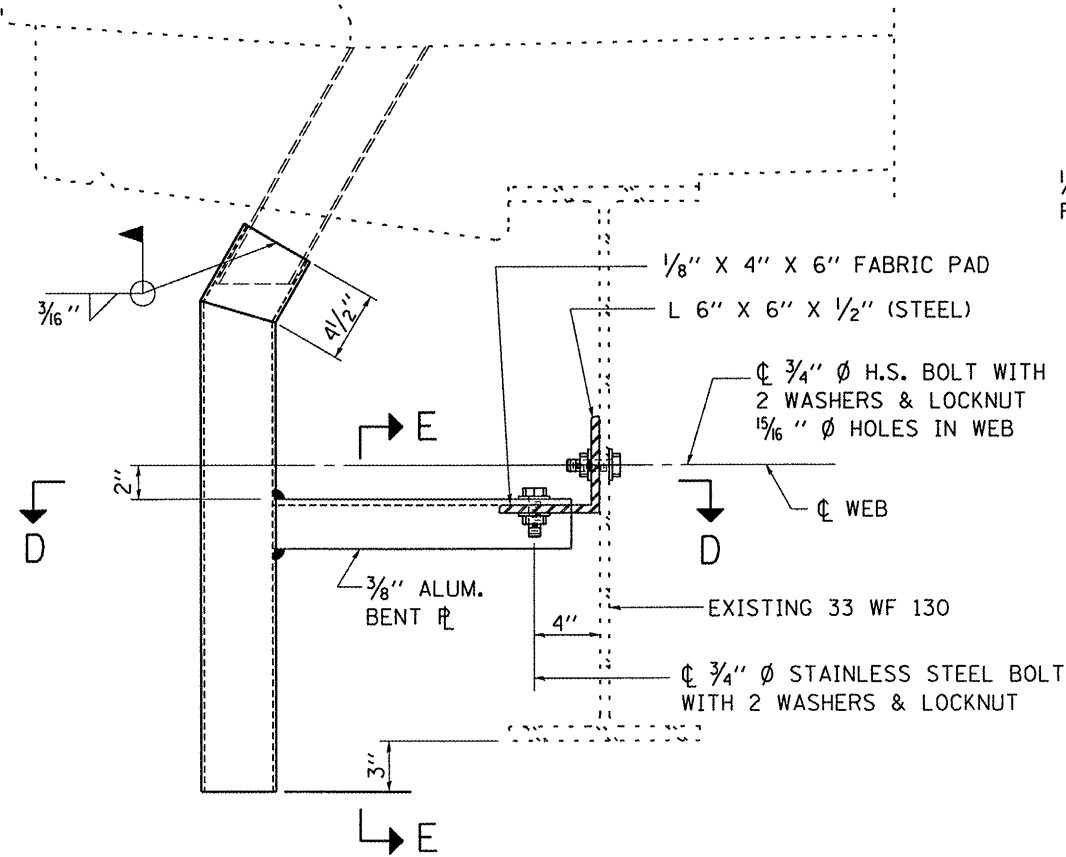
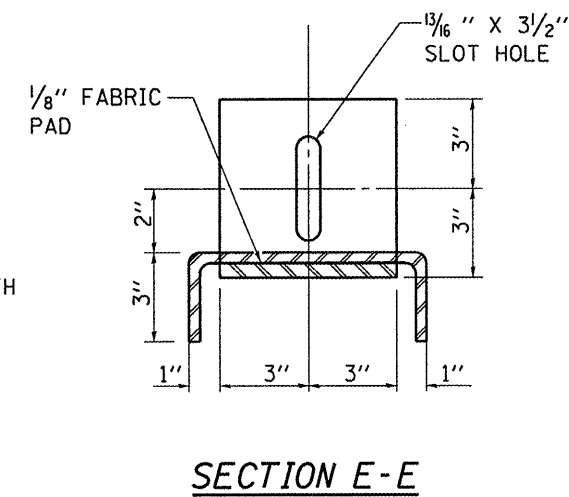


DRAIN ELIMINATION DETAIL
PLUG



DRAIN EXTENSION

BILL OF MATERIAL

ITEM	UNIT	TOTAL
PLUG EXISTING	EACH	44
DECK DRAIN		
FLOOR DRAIN	EACH	20
EXTENSION		

NOTE:
THE CONTRACTOR SHALL FIELD VERIFY ALL
DIMENSIONS PRIOR TO ORDERING OF MATERIALS