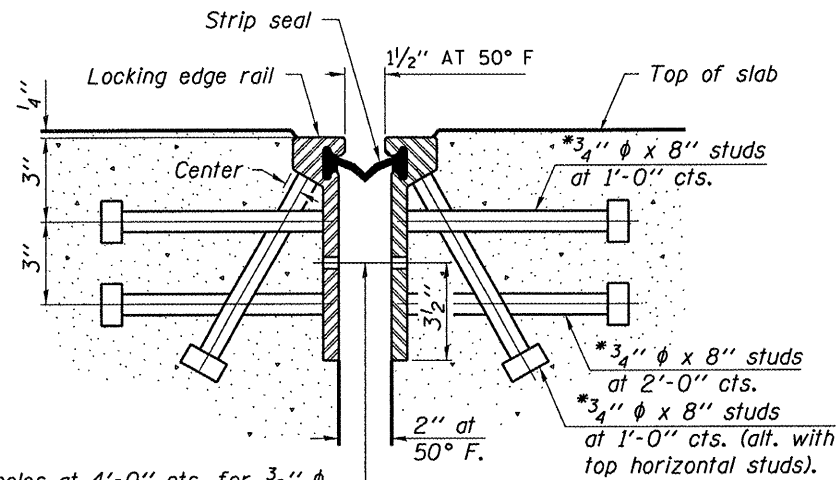
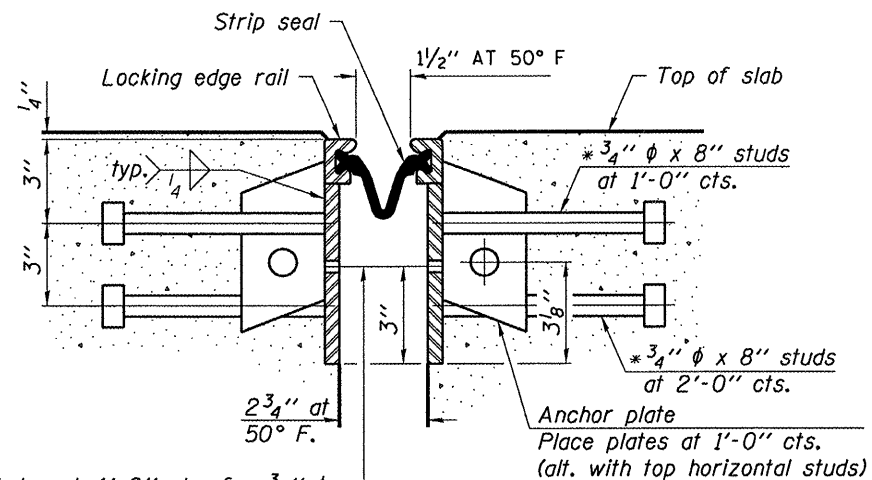


* Granular or solid flux filled headed studs conforming to Article 1006.32 of the Std. Specs., automatically end welded.



7/16" φ holes at 4'-0" cts. for 3/8" φ bolts. All bolts shall be burned, sawed, or chipped off flush with the plates after forms are removed, typ.

SECTION THRU ROLLED RAIL JOINT



7/16" φ holes at 4'-0" cts. for 3/8" φ bolts. All bolts shall be burned, sawed, or chipped off flush with the plates after forms are removed, typ.

SECTION THRU WELDED RAIL JOINT

Notes:

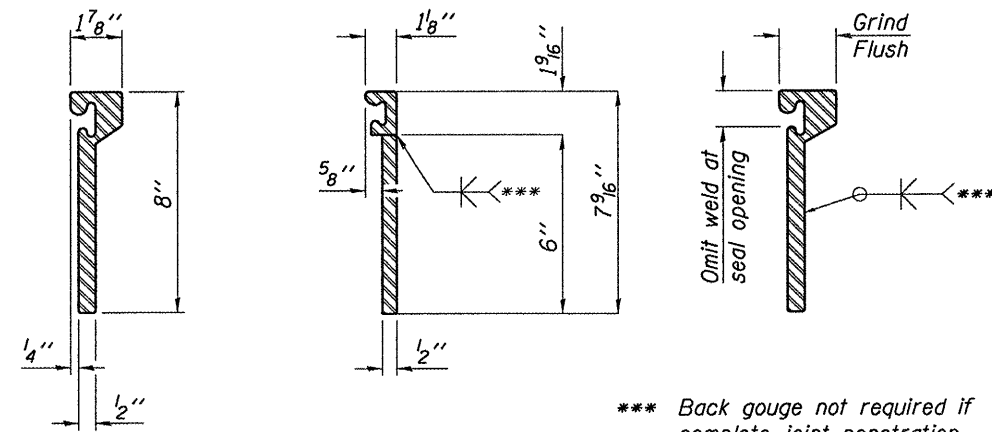
The strip seal shall be made continuous and shall have a minimum thickness of 1/4". The configuration of the strip seal shall match the configuration of the Locking Edge Rails. Open or "webbed" strip seal gland configurations are not permitted. The gland shall be sized for a maximum rated movement of 4 inches.

The height and thickness of the Locking Edge Rails shown are minimum dimensions. The actual configuration of the Locking Edge Rails and matching strip seal may vary from manufacturer to manufacturer. Flanged edge rails will not be allowed. Locking Edge Rails may be spliced at slope discontinuities and stage construction joints.

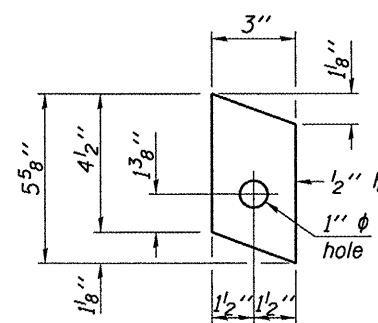
The manufacturer's recommended installation methods shall be followed.

The joint opening and deck dimensions detailed on the superstructure are based on a rolled rail expansion joint. If the Contractor elects to use the welded rail expansion joint, the opening and deck dimensions shall be modified according to the dimensions detailed on this sheet. Required modifications shall be made at no additional cost to the State.

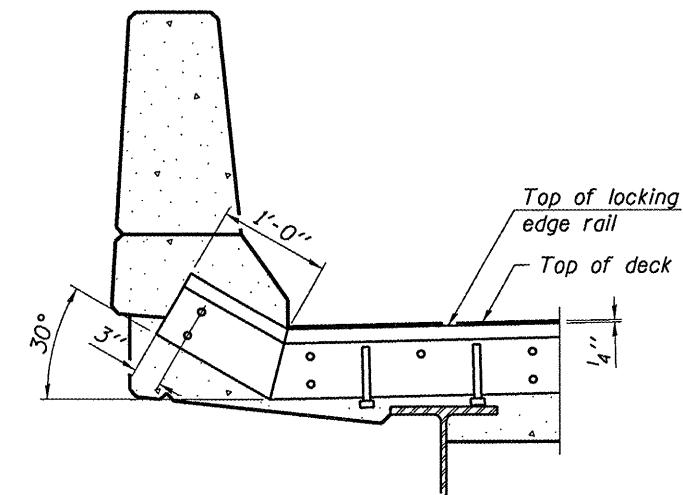
All steel components shall be galvanized after fabrication according to Article 520.03 of the Standard Specifications.



*** Back gouge not required if complete joint penetration is verified by mock-up.



ANCHOR PLATE (for welded rail)



TYPICAL END TREATMENT AT PARAPET

LOCKING EDGE RAILS

EJ-SSJ

9-3-07

BILL OF MATERIAL

ITEM	UNIT	TOTAL
PREFORMED JOINT STRIP SEAL	FOOT	96

FILE NAME = c:\projects\main\9\cm305\deta1.s.dgn	USER NAME = woodshankr1	DESIGNED - RON WOODSHANK	REVISED - 03/21/2008	STATE OF ILLINOIS DEPARTMENT OF TRANSPORTATION	PREFORMED JOINT STRIP SEAL	F.A.P. RTE. 846	SECTION (6B-11)	COUNTY GRUNDY	TOTAL SHEETS 29	SHEET NO. 22	
PLOT SCALE = 41.3612' / IN.	CHECKED -	REVISOR -	SCALE: _____			SHEET NO. 1 OF 1 SHEETS	STA. 571+00.67 TO STA. 573+01.17	CONTRACT NO. 66728			
PLOT DATE = Apr 02, 2008 - 08:28:57 AM	DATE -	REVISOR -	FED. ROAD DIST. NO. - ILLINOIS FED. AID PROJECT								