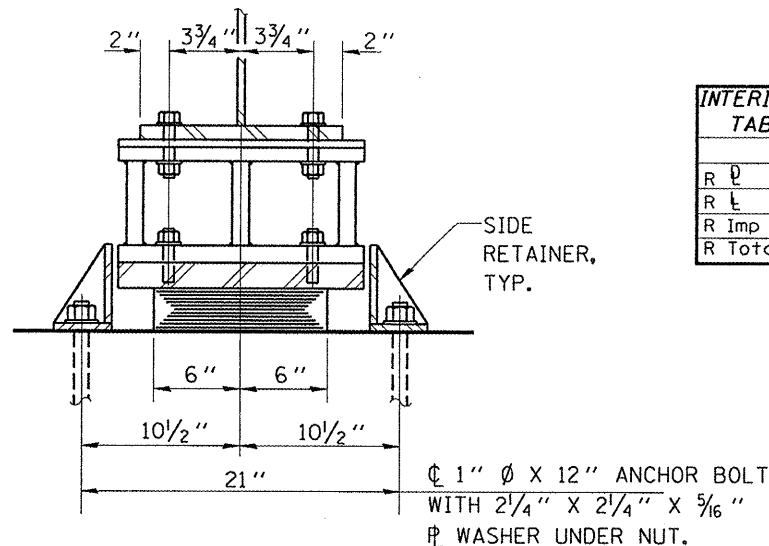
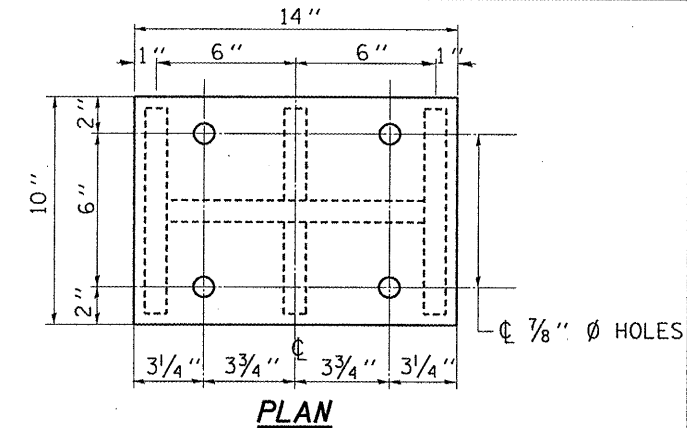


END ELEVATION AT ABUT.

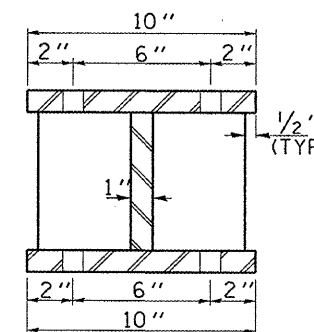


SIDE ELEVATION AT ABUT.

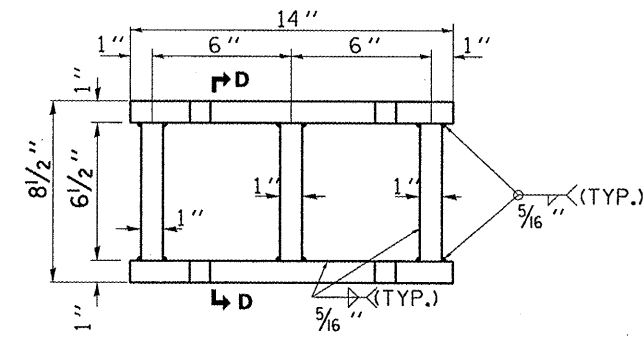
| INTERIOR BEAM REACTION TABLE HS20 Loading | | |
|-------------------------------------------|-----|-----------|
| | | ABUTMENTS |
| R D | (k) | 22.05 |
| R L | (k) | 39.27 |
| R Imp | (k) | 11.39 |
| R Total | (k) | 72.71 |



PLAN



SECTION D-D



ELEVATION

STEEL PEDESTAL

NOTES:
ANCHOR BOLTS SHALL BE ASTM F1554 ALL THREAD (OR AN ENGINEER-APPROVED ALTERNATE MATERIAL) OF THE GRADES(S) AND DIMENSION(S) SPECIFIED. ASTM A307 GRADE C ANCHOR BOLTS MAY BE USED IN LIEU OF ASTM F1554 GRADE 36 (Fy=36kSI). THE CORRESPONDING SPECIFIED GRADE OF AASHTO M314 ANCHOR BOLTS MAY BE USED IN LIEU OF ASTM F1554.

SIDE RETAINERS SHALL BE INCLUDED IN THE COST OF ELASTOMERIC BEARING ASSEMBLY, TYPE I.

DRILLED AND SET ANCHOR BOLTS SHALL BE INSTALLED ACCORDING TO ARTICLE 521.06 OF THE STANDARD SPECIFICATIONS.

DIAPHRAGM REMOVAL AND REINSTALLATION MAY BE REQUIRED TO FACILITATE DRILLING HOLES. COST INCLUDED WITH FURNISHING AND ERECTING STRUCTURAL STEEL.

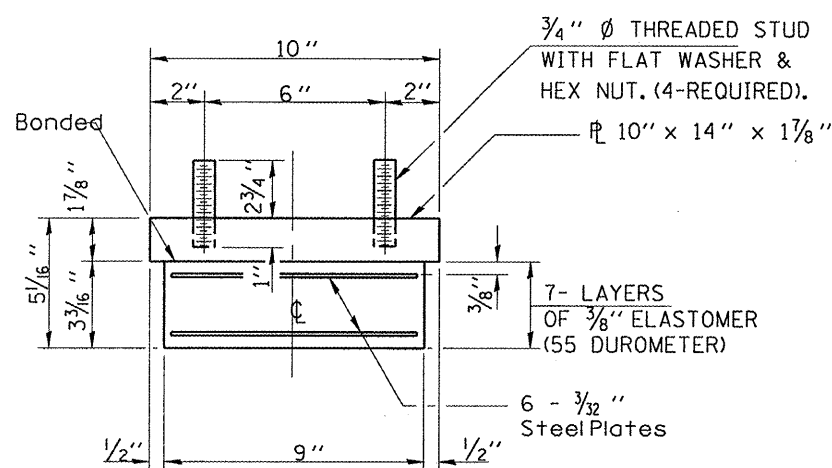
NEW STEEL EXTENSIONS, SHIM PLATES, AND CONNECTION BOLTS ARE INCLUDED WITH FURNISHING AND ERECTING STRUCTURAL STEEL.

PRIOR TO ORDERING AND MATERIALS, THE CONTRACTOR SHALL VERIFY IN THE FIELD ALL BEARING HEIGHT AND SHIM THICKNESS DIMENSIONS.

MINIMUM JACK CAPACITY = 40 TONS

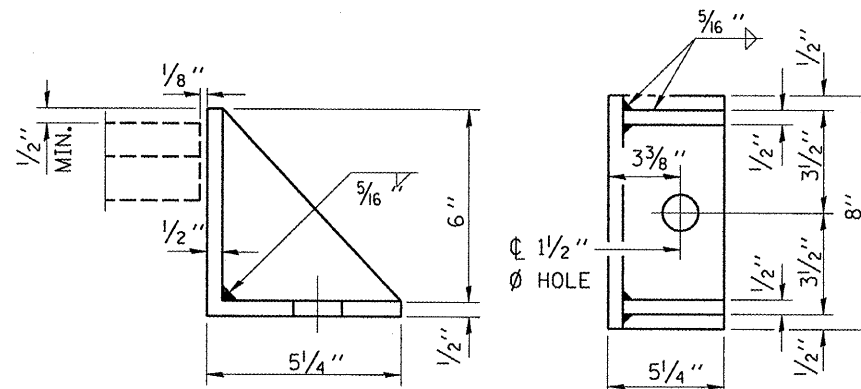
BILL OF MATERIAL

| ITEM | UNIT | TOTAL |
|------------------------------------------|-------|-------|
| ELASTOMERIC BEARING ASSEMBLY TYPE I | Each | 12 |
| ANCHOR BOLTS 1" Ø | Each | 24 |
| REMOVE AND REPLACE ANCHOR BOLTS | Each | 1 |
| JACK AND REMOVE EXISTING BEARINGS | Each | 12 |
| FURNISHING AND ERECTING STRUCTURAL STEEL | POUND | 1620 |



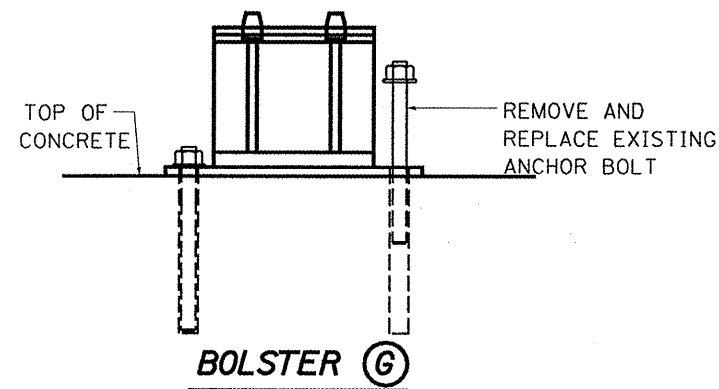
BEARING ASSEMBLY

NOTE:
SHIM PLATES SHALL NOT BE PLACED UNDER BEARING ASSEMBLY.

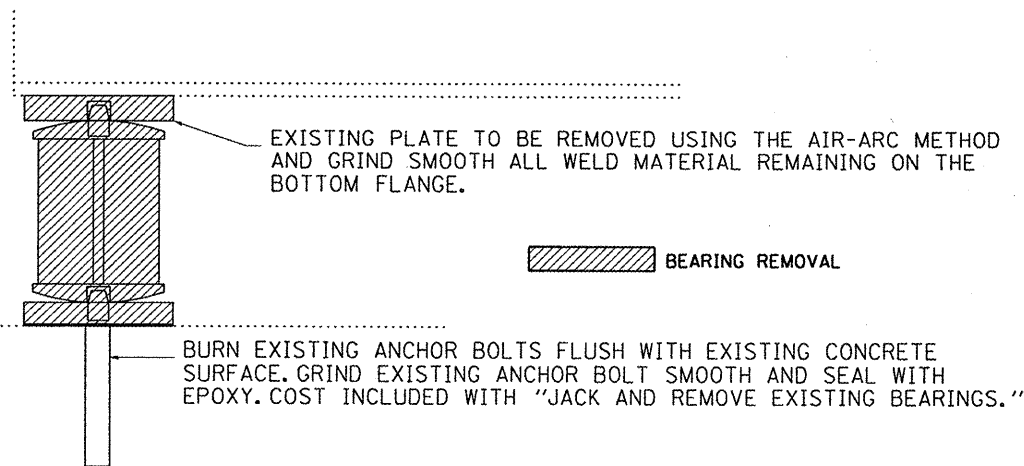


SIDE RETAINER

EQUIVALENT ROLLED ANGLE WITH STIFFENERS WILL BE ALLOWED IN LIEU OF WELDED PLATES.



BOLSTER



EXISTING BEARING REMOVAL DETAIL AT ABUTMENTS

| | | | |
|-------------|----------------------|--------------------------|----------------------|
| FILE NAME = | USER NAME = *USER* | DESIGNED - RON WOODSHANK | REVISED - 03/21/2008 |
| #FILE# | | DRAWN - RON WOODSHANK | REVISED - 03/21/2008 |
| | PLOT SCALE = *SCALE* | CHECKED - | REVISED - |
| | PLOT DATE = *DATE* | DATE - | REVISED - |

STATE OF ILLINOIS
DEPARTMENT OF TRANSPORTATION

ELASTOMERIC BEARING

SCALE: SHEET NO. 1 OF 1 SHEETS STA. 571+00.67 TO STA. 573+01.17

| | | | | |
|---------------------|-----------------|---------------|---------------------------|--------------|
| F.A.P. RTE. 846 | SECTION 16B-11I | COUNTY GRUNDY | TOTAL SHEETS 29 | SHEET NO. 25 |
| FED. ROAD DIST. NO. | | | ILLINOIS FED. AID PROJECT | |
| CONTRACT NO. 66728 | | | | |