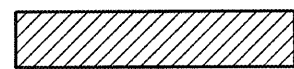


S. ABUT.

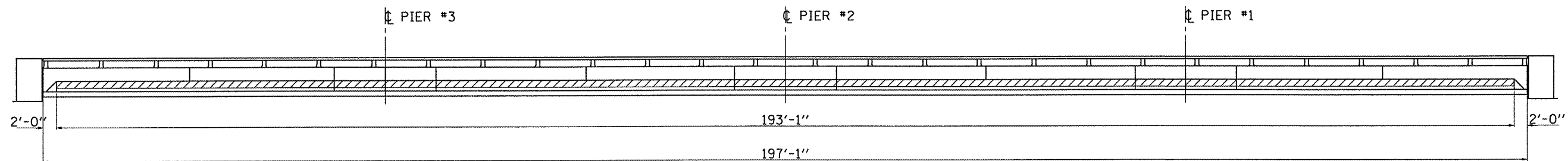
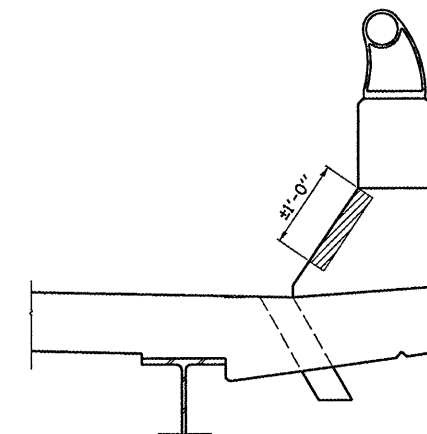
WEST PARAPET
INSIDE FACE

N. ABUT.



STRUCTURAL REPAIR OF CONCRETE
(DEPTH EQUAL TO OR LESS THAN 5")

NOTE: DIMENSIONS SHOWN ARE APPROXIMATE, THE ENGINEER SHALL SOUND THE REPAIR AREAS AS SHOWN TO DETERMINE EXACT LIMITS OF STRUCTURAL REPAIR OF CONCRETE.



N. ABUT.

EAST PARAPET
INSIDE FACE

S. ABUT.

BILL OF MATERIAL

ITEM	UNIT	TOTAL
STRUCTURAL REPAIR OF CONCRETE (DEPTH EQUAL TO OR LESS THAN 5")	SQ FT	258
RUBBED FINISH (MODIFIED)	SQ FT	258

FILE NAME =	USER NAME = woodshankr1	DESIGNED - RON WOODSHANK	REVISED - 03/21/2008
ai\projects\main\09\con305\details.dgn		DRAWN - RON WOODSHANK	REVISED - 03/21/2008
PLOT SCALE = 41.3612" / IN.		CHECKED - ---	REVISED - ---
PLOT DATE = Apr 02, 2008 - 08:29:23 AM		DATE - ---	REVISED - ---

STATE OF ILLINOIS
DEPARTMENT OF TRANSPORTATION

STRUCTURAL REPAIR OF CONCRETE

SCALE: _____ SHEET NO. 1 OF 3 SHEETS STA. 571+00.67 TO STA. 573+01.17

F.A.P. RTE. 846	SECTION (6B-1)I	COUNTY GRUNDY	TOTAL SHEETS 29	SHEET NO. 26
CONTRACT NO. 66728				
FED. ROAD DIST. NO. - ILLINOIS FED. AID PROJECT				