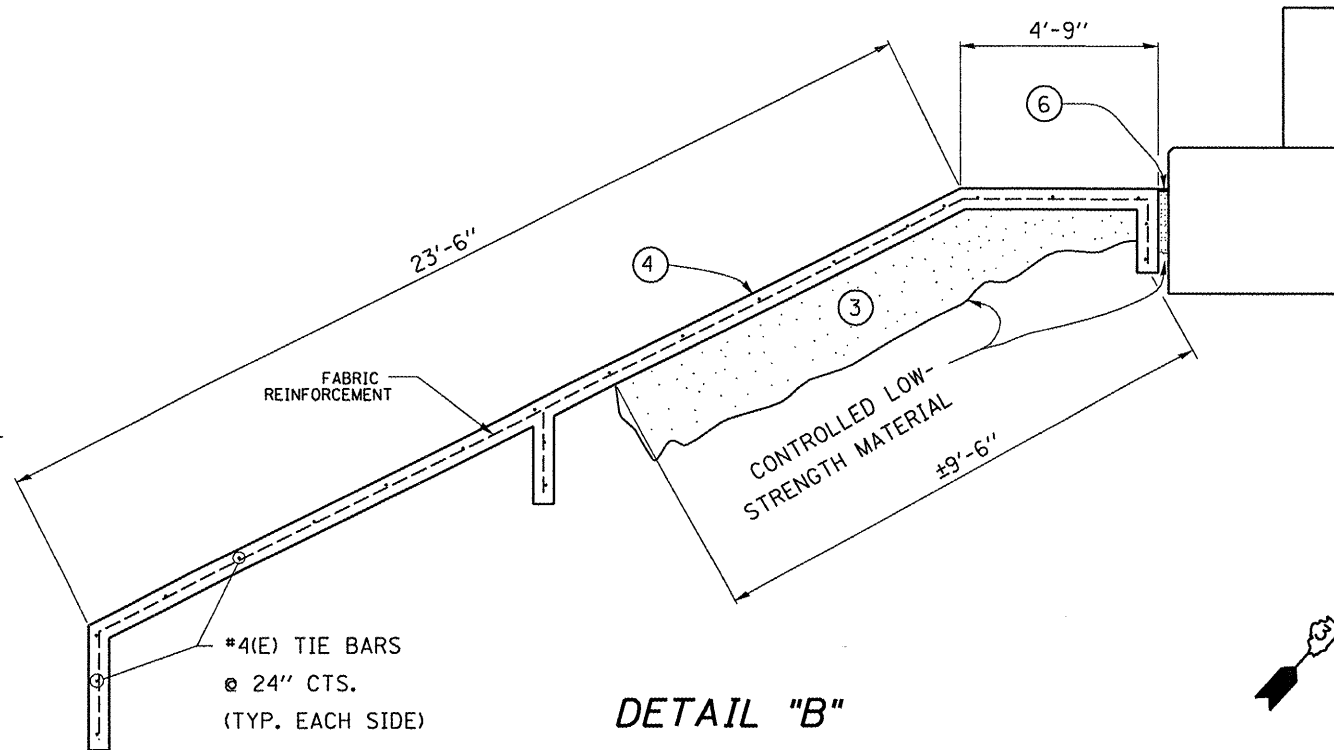
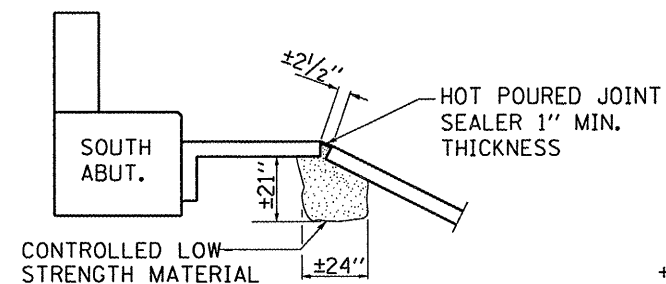


SOUTH ABUTMENT

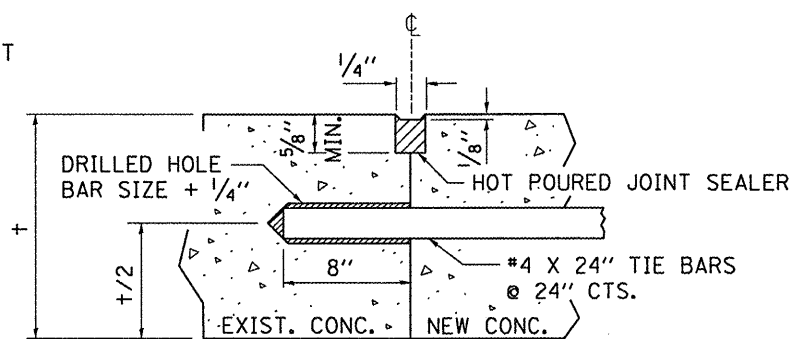
SEE DETAIL "A"



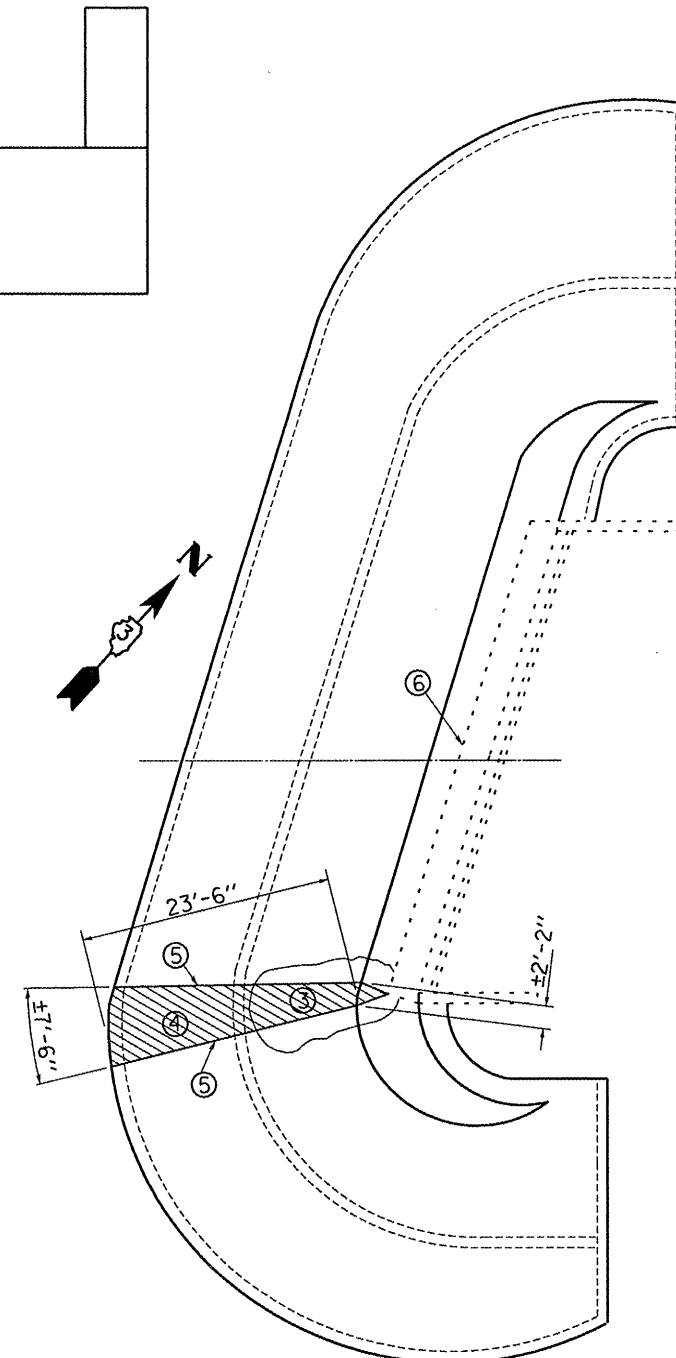
DETAIL "B"



DETAIL "A"



DETAIL "C"



NORTH ABUTMENT

LEGEND

- ① FILL VOID (±1'-9" DEPTH) WITH CONTROLLED LOW STRENGTH MATERIAL
- ② SEAL OPEN JOINT WITH APPROVED HOT Poured JOINT SEALER
- ③ FILL VOID (±2'-0" DEPTH) WITH CONTROLLED LOW STRENGTH MATERIAL
- ④ REMOVE AND REPLACE CONCRETE SLOPEWALL INCLUDING TOE WALLS
- ⑤ SEAL CONSTRUCTION JOINTS WITH APPROVED HOT Poured JOINT SEALER
- ⑥ FILL GAP BETWEEN SLOPEWALL AND ABUTMENT WITH CONTROLLED LOW STRENGTH MATERIAL AND SEAL WITH AN APPROVED HOT Poured JOINT SEALER (ENTIRE LENGTH OF ABUTMENT)

BILL OF MATERIAL

| ITEM | UNIT | TOTAL |
|----------------------------------|-------|-------|
| SLOPE WALL REMOVAL | SQ YD | 17 |
| SLOPE WALL 6" | SQ YD | 17 |
| CONTROLLED LOW-STRENGTH MATERIAL | CU YD | 12 |
| DRILL AND GROUT BARS | Each | 36 |
| JOINT SEALER | FOOT | 78 |

| | | | |
|--|-------------------------|-----------------------------------|----------------------|
| FILE NAME = c:\projects\main\09\cm305\details.dgn | USER NAME = woodshankr1 | DESIGNED - RON WOODSHANK | REVISED - 03/21/2008 |
| | | DRAWN - RON WOODSHANK | REVISED - 03/21/2008 |
| | | CHECKED - | REVISED - |
| | | DATE - Apr 02, 2008 - 08:29:40 AM | REVISED - |

**STATE OF ILLINOIS
DEPARTMENT OF TRANSPORTATION**

SLOPE WALL REPAIR

SCALE: _____ SHEET NO. 1 OF 1 SHEETS STA. 571+00.67 TO STA. 573+01.17

| | | | | |
|---|-----------------|---------------|-----------------|--------------|
| F.A.P. RTE. 846 | SECTION (6B-11) | COUNTY GRUNDY | TOTAL SHEETS 29 | SHEET NO. 29 |
| CONTRACT NO. 66728 | | | | |
| FED. ROAD DIST. NO. - ILLINOIS FED. AID PROJECT | | | | |