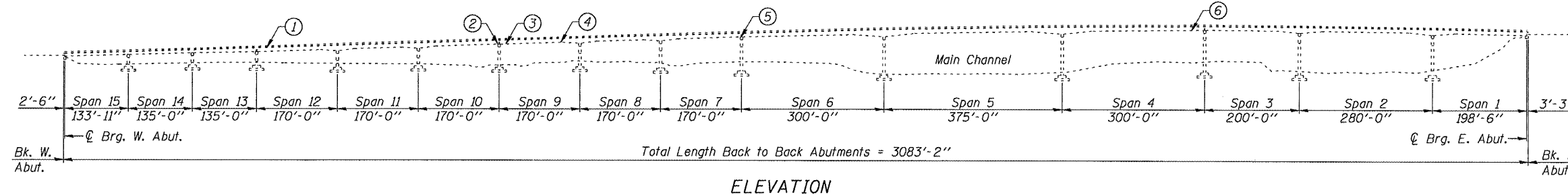


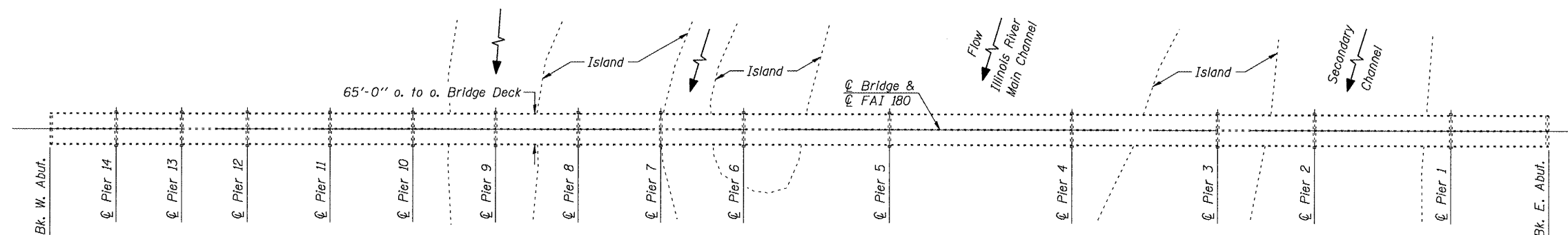
STATE OF ILLINOIS  
DEPARTMENT OF TRANSPORTATION

ROUTE NO.	SECTION	COUNTY	TOTAL SHEETS	SHEET NO.	SHEET NO. 1 OF 8 SHEETS
FAI-180	06-3,78-1 I-2	BUREAU/ PUTNAM	12	5	
FED. ROAD DIST. NO. 7	ILLINOIS	CONTRACT NO. 66734			

Note: "Repair Legend" shown on sheet 2 of 8.



ELEVATION



PLAN

GENERAL NOTES

All structural steel shall conform to AASHTO Classification M-270 Gr. 36, unless otherwise noted.

Plan dimensions and details relative to the existing plans are subject to routine variations. The Contractor shall field verify existing dimensions and details affecting new construction and make necessary approved adjustments prior to construction or ordering of materials. Such variations shall not be cause for additional compensation for a change in scope of the work, however, the Contractor will be paid for the quantity actually furnished based upon the unit price bid for the work.

Existing structural steel that will be in contact with new structural steel shall be cleaned and painted prior to erection as required by the Special Provision "Cleaning and Painting Contact Surface Areas of Existing Steel Structures".

The inorganic zinc rich primer / acrylic / acrylic paint system shall be used for shop and field painting of new structural steel except where otherwise noted. The color of the acrylic finish coat shall be Grey, Munsell No. 5B 7/1. See Special Provision "Cleaning and Painting New Metal Structures".

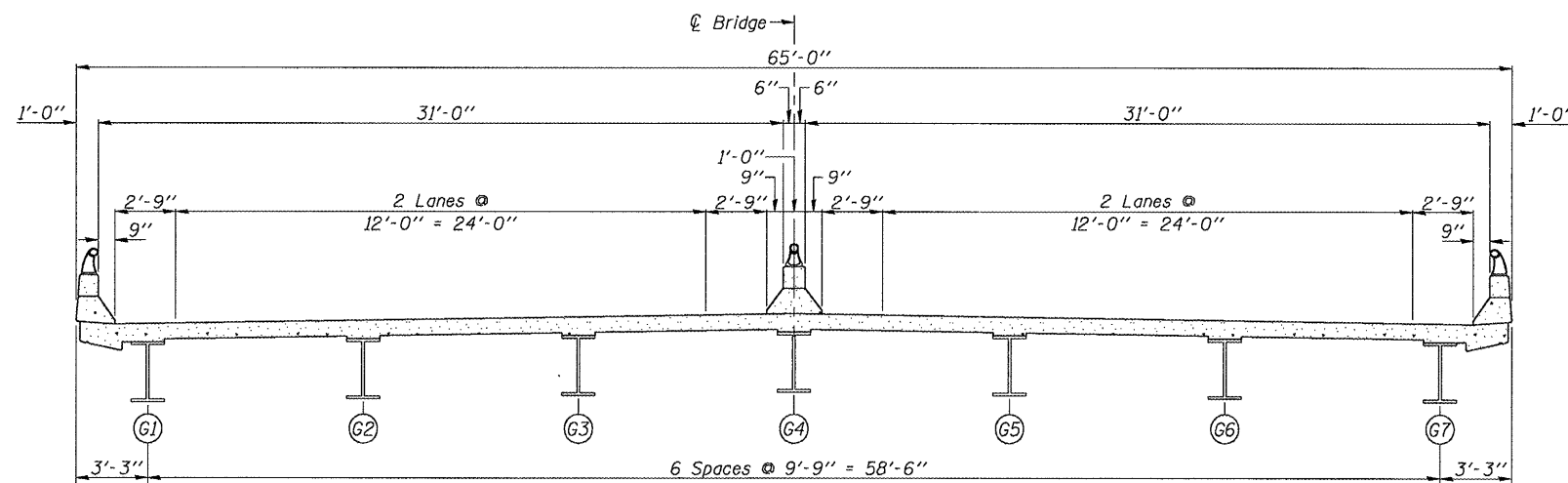
Cost of removal and/or re-installation of all members necessary to complete the work as detailed on the plans and as specified in the Special Provisions shall be included in the cost of Structural Steel Repair.

All new fasteners shall be 7/8" dia., 3/4" dia., or 1" dia. High Strength Bolts.

No field welding permitted.

Traffic control shall be determined by the District.

The existing structural steel coating contains lead. The Contractor shall take appropriate precautions to deal with the presence of lead on this project.



TYPICAL CROSS SECTION

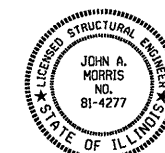
(Looking East)

TOTAL BILL OF MATERIAL

ITEM	UNIT	QUANTITY
Structural Steel Repair	Pound	640
Traffic Control and Protection, STANDARD 701A01	L. Sum	1

DESIGNED	J.A.M.	200
CHECKED	A.R.K.	ENGINEER OF BRIDGE DESIGN
DRAWN	S.A.P.	ENGINEER OF BRIDGES AND STRUCTURES
CHECKED	A.R.K. & J.A.M.	

John A. Morris 4/8/08  
ILLINOIS STRUCTURAL NO. 4277 (Expires 11/30/08)



GENERAL PLAN AND ELEVATION  
FAI ROUTE 180 OVER ILLINOIS RIVER  
SECTION (06-3,78-1)I-2  
BUREAU/PUTNAM COUNTIES  
S.N. 078-0001