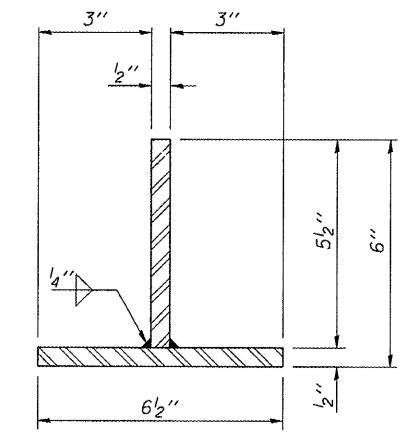
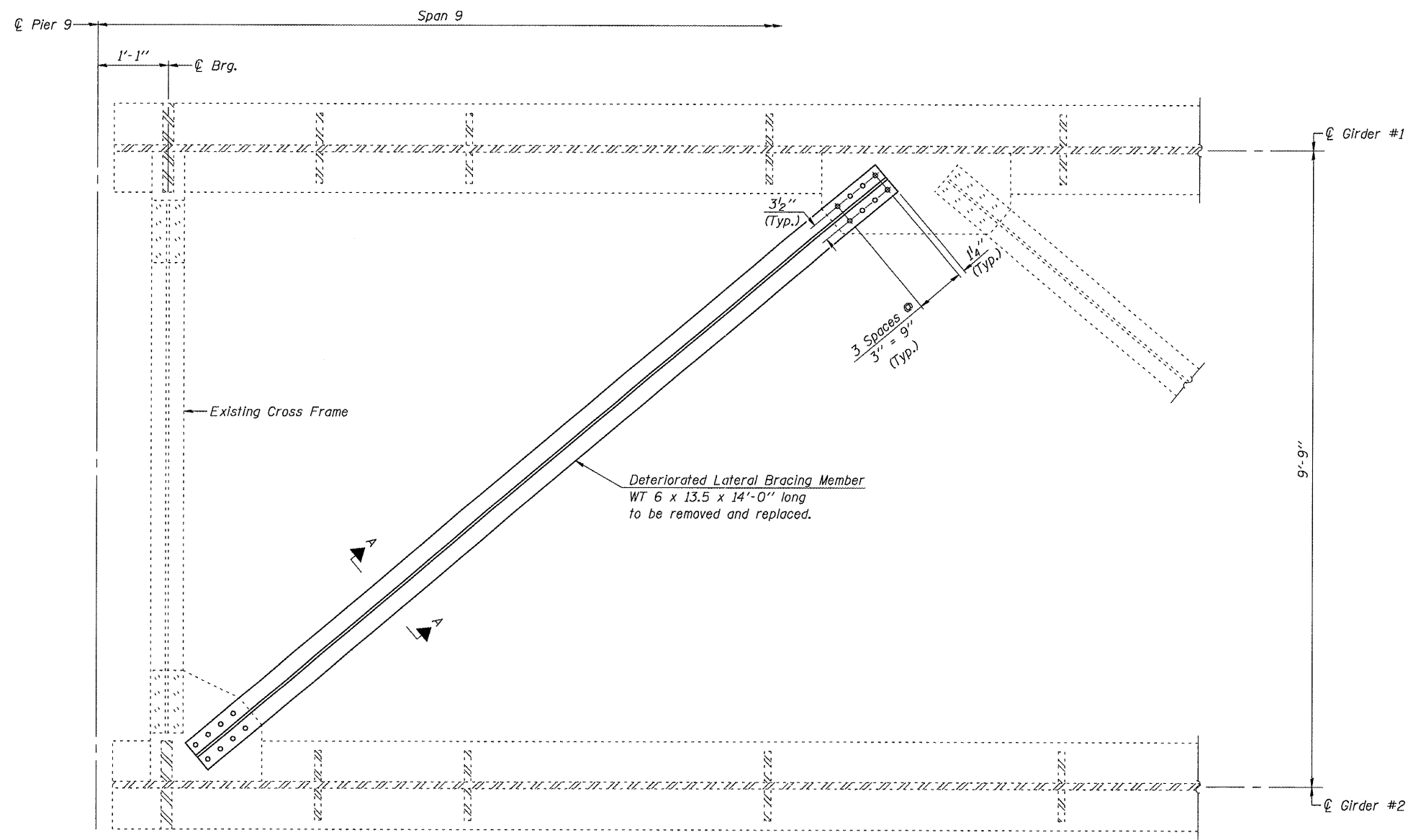


STATE OF ILLINOIS  
DEPARTMENT OF TRANSPORTATION

ROUTE NO.	SECTION	COUNTY	TOTAL SHEETS	SHEET NO.	SHEET NO. 5 OF 8 SHEETS
FAI-180	06-3,78-11-2	BUREAU/ PUTNAM	12	9	
FED. ROAD DIST. NO. 7	ILLINOIS	CONTRACT NO. 66734			



**SECTION A-A**  
(Showing Alternate Welded  
Lateral Bracing Member)

LATERAL BRACING REPAIR PLAN

Notes: Lateral Bracing Member may be replaced in-kind utilizing a WT section or a fabricated section providing equal or greater capacity as approved by the Engineer. All new fasteners shall be provided and shall be 3/4"  $\phi$  H.S. Bolts. Holes in new Lateral Bracing Member shall be subpunched or subdrilled 1/16"  $\phi$  and reamed in the field to 13/16"  $\phi$  for 3/4"  $\phi$  bolts.

BILL OF MATERIAL

ITEM	UNIT	QUANTITY
Structural Steel Repair	Pound	200

LATERAL BRACING REPLACEMENT DETAILS  
FAI ROUTE 180 OVER ILLINOIS RIVER  
SECTION (06-3,78-11-2  
BUREAU/PUTNAM COUNTIES  
S.N. 078-0001

DESIGNED	J.A.M.	200
CHECKED	A.R.K.	EXAMINED
DRAWN	S.A.P.	PASSED
CHECKED	A.R.K. & J.A.M.	ENGINEER OF BRIDGES AND STRUCTURES