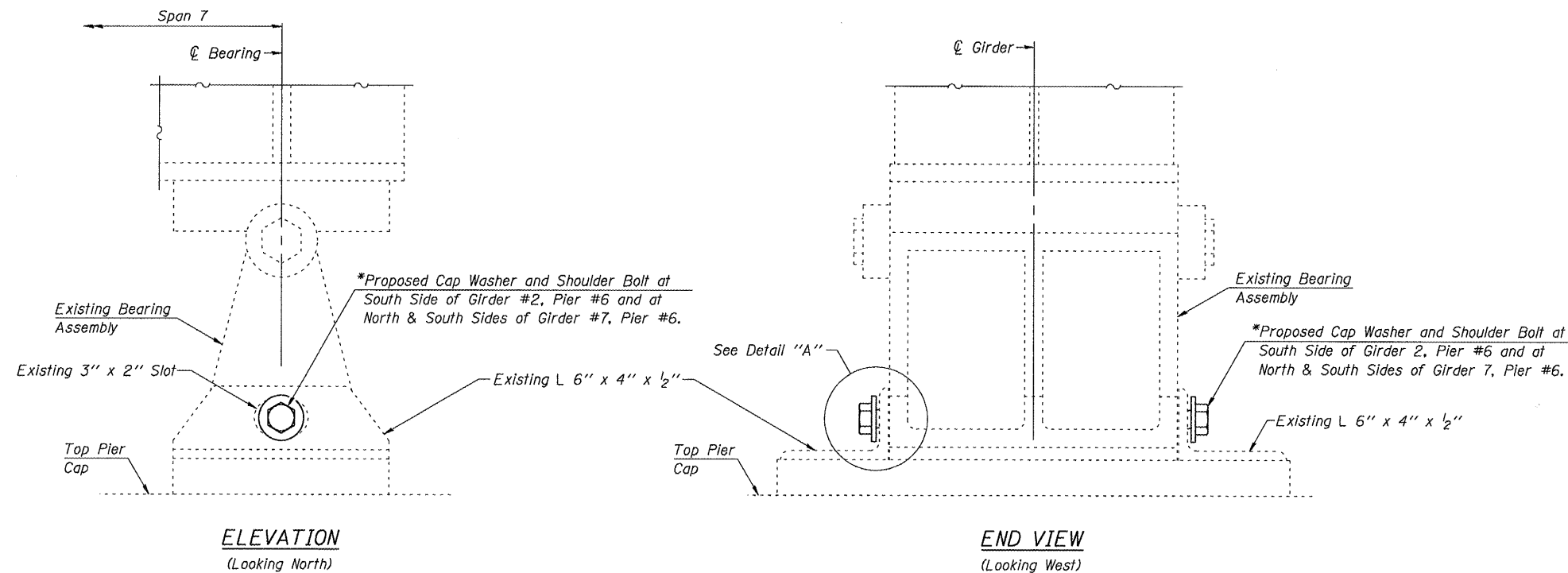


STATE OF ILLINOIS  
DEPARTMENT OF TRANSPORTATION

ROUTE NO.	SECTION	COUNTY	TOTAL SHEETS	SHEET NO.
FAI-180	06-3,78-1I-2	BUREAU/PUTNAM	12	11
FED. ROAD DIST. NO. 7	ILLINOIS	CONTRACT NO. 66734		

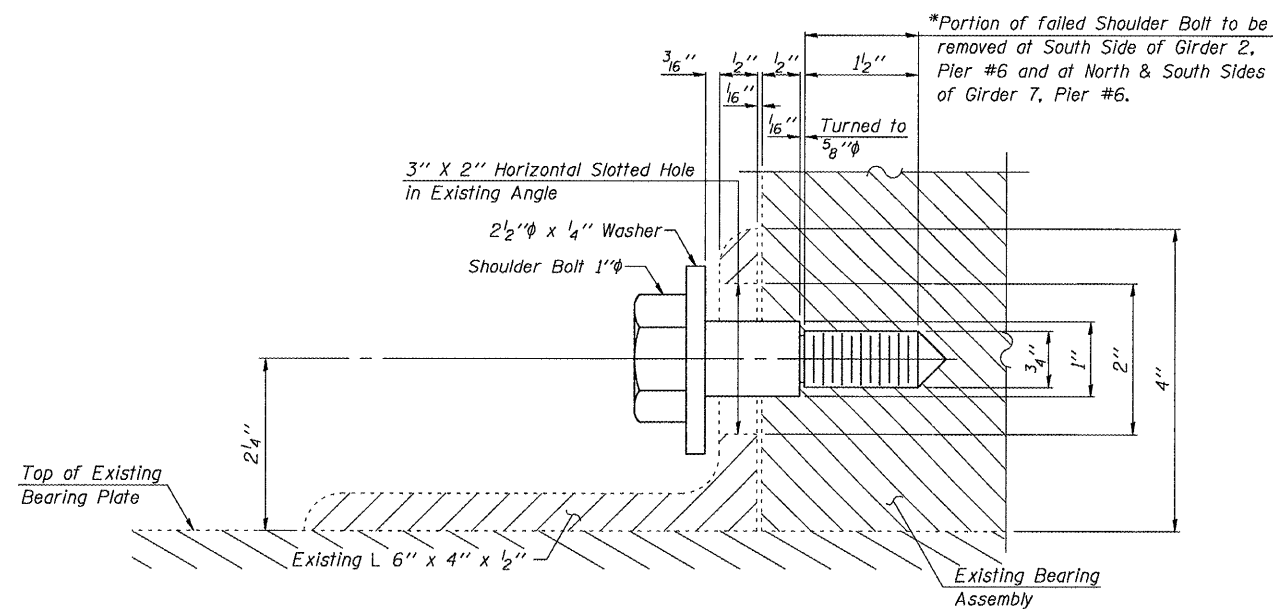
SHEET NO. 7  
OF 8 SHEETS



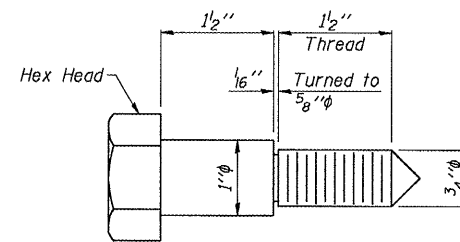
EXISTING BEARING AT PIER 6

**\*Notes:**  
The Existing Shoulder Bolts at the designated locations have failed. The threaded portions of the failed Shoulder Bolts are embedded in the Existing Bearing Assemblies and are to be removed to allow installation of new Shoulder Bolts. The cost for tapping holes for new Shoulder Bolts, if required, and removing the embedded portions of the failed Shoulder Bolts in the Existing Bearing Assemblies is included in Structural Steel Repair.

After the embedded portions of the failed Shoulder Bolts have been removed from the Existing Bearing Assemblies, the Contractor shall examine the removed portions of the bolts and the holes in the Existing Bearing Assemblies to determine thread requirements for the new Shoulder Bolts. If bolt removal operations damage the threaded holes in the Existing Bearing Assemblies, holes shall be re-tapped as needed to accept new Shoulder Bolts.

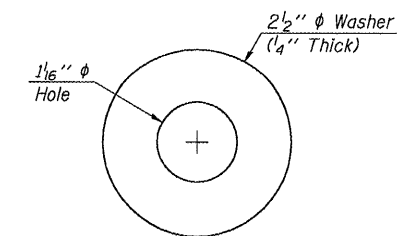


DETAIL "A"  
(3- Locations)



SHOULDER BOLT DETAIL

(3 Required)  
New Shoulder Bolts shall be  
AASHTO M164 High Strength Bolts



WASHER DETAIL

(3 Required)

DESIGNED	J.A.M.	200
CHECKED	A.R.K.	EXAMINED
DRAWN	S.A.P.	PASSED
CHECKED	A.R.K. & J.A.M.	ENGINEER OF BRIDGES AND STRUCTURES

BEARING SHOULDER BOLT REPAIR DETAILS  
FAI ROUTE 180 OVER ILLINOIS RIVER  
SECTION (06-3,78-1I)-2  
BUREAU/PUTNAM COUNTIES  
S.N. 078-0001