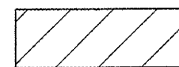
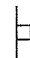




SYMBOLS

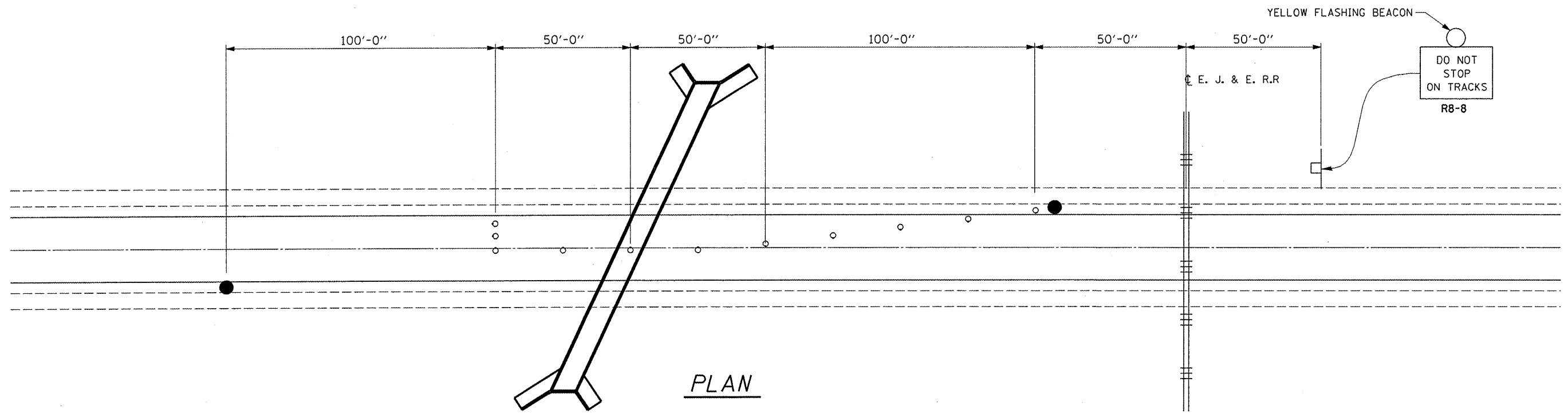
-  WORK AREA
-  SIGN
-  DRUMS AT 25' CTS.
-  FLAGGER WITH TRAFFIC CONTROL SIGN

PLAN

NOTES:

THIS DETAIL SHALL BE USED IN CONJUNCTION WITH TRAFFIC CONTROL AND PROTECTION STANDARD 701201 FOR DAY TIME CLOSURES.

DURING NON-WORKING HOURS, THE TRAFFIC CONTROL DRUMS SHALL BE PLACED ON THE SHOULDER ADJACENT TO THE E.O.P. AT 25' CTS.



PLAN

FILE NAME = c:\projects\cmsh09\cm306\details.dgn	USER NAME = carpentendj	DESIGNED - R. WOODSHANK	REVISED -
		DRAWN - R. WOODSHANK	REVISED -
		CHECKED -	REVISED -
		DATE -	REVISED -

**STATE OF ILLINOIS
DEPARTMENT OF TRANSPORTATION**

STAGING DETAILS

SCALE: _____ SHEET NO. 6 OF 6 SHEETS STA. _____ TO STA. _____

F.A.S. RTE. 296	SECTION (G,F)I	COUNTY GRUNDY	TOTAL SHEETS 11	SHEET NO. 6
FED. ROAD DIST. NO. _____ ILLINOIS			CONTRACT NO. 66742	