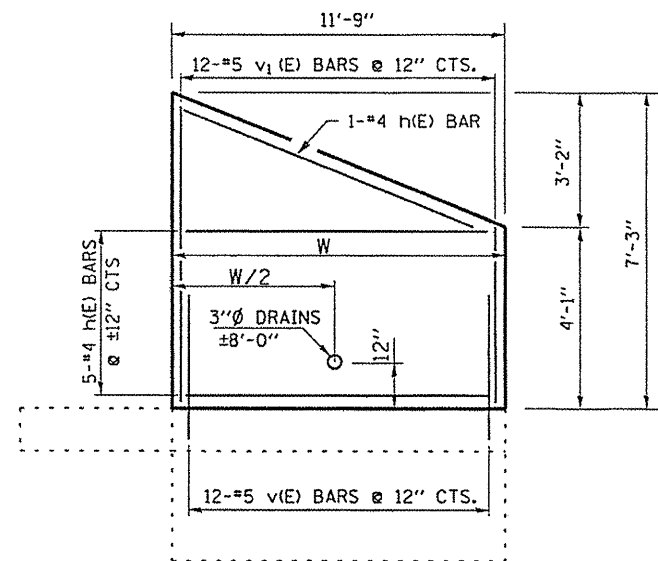
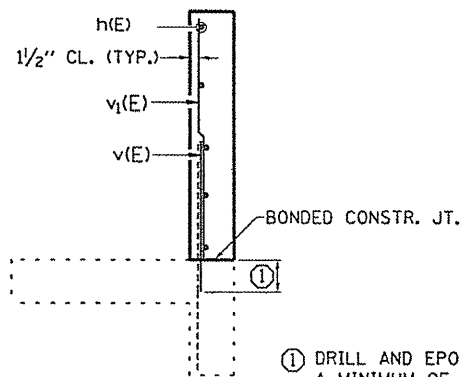


**PLAN**  
SHOWING REMOVAL LIMITS

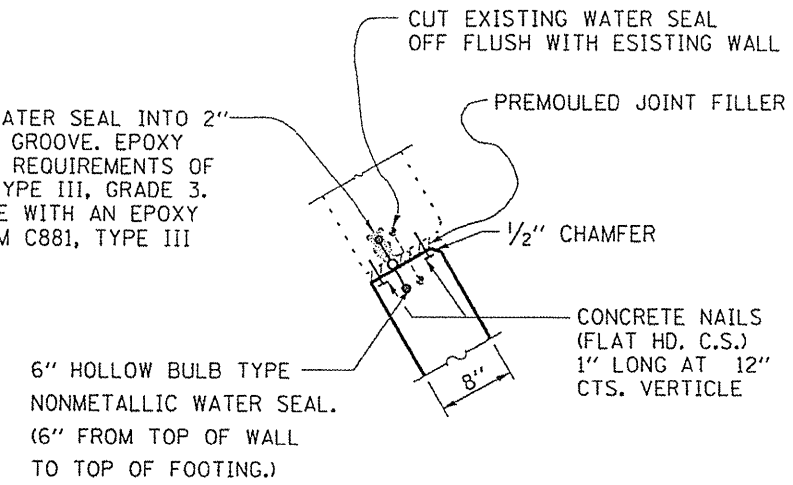


**ELEVATION**  
(TYP)



**SECTION B-B**

EPOXY NEW WATER SEAL INTO 2" WIDE SAWCUT GROOVE. EPOXY TO MEET THE REQUIREMENTS OF ASTM C881, TYPE III, GRADE 3. PRIME GROOVE WITH AN EPOXY MEETING ASTM C881, TYPE III GRADE 1.



**CORNER DETAIL**  
COST INCLUDED WITH "CONCRETE BOX CULVERTS"

**BILL OF MATERIAL**  
**NE WING**

Bar	No.	Size	Length	Shape
h (E)	5	#4	11'-6"	—
h <sub>i</sub> (E)	1	#4	11'-11"	—
v (E)	12	#5	3'-6"	—
v <sub>i</sub> (E)	12	#5	7'-0"	—

CONCRETE BOX CULVERTS	Cu. Yd.	1.7
REINFORCEMENT BARS EPOXY COATED	Pound	180

ORDER v<sub>i</sub> BARS FULL LENGTH AND CUT TO FIT IN FIELD

**BILL OF MATERIAL**  
**SW WING**

Bar	No.	Size	Length	Shape
h (E)	5	#4	11'-6"	—
h <sub>i</sub> (E)	1	#4	11'-11"	—
v (E)	12	#5	3'-6"	—
v <sub>i</sub> (E)	12	#5	7'-0"	—

CONCRETE BOX CULVERTS	Cu. Yd.	1.7
REINFORCEMENT BARS EPOXY COATED	Pound	180

ORDER v<sub>i</sub> BARS FULL LENGTH AND CUT TO FIT IN FIELD

STA. 385+94  
25° SKEW  
8'-0" X 6'-0"  
BOX CULVERT

FILE NAME =	USER NAME = woodshankr1	DESIGNED - R. WOODSHANK	REVISED - ---
c:\projects\cainair\91\ca328\details.dgn		DRAWN - R. WOODSHANK	REVISED - ---
		CHECKED - ---	REVISED - ---
		DATE - ---	REVISED - ---

STATE OF ILLINOIS  
DEPARTMENT OF TRANSPORTATION

**CONCRETE BOX CULVERT DETAILS**

SCALE: SHEET NO. 3 OF 4 SHEETS STA. TO STA.

F.A.S. RTE.	SECTION	COUNTY	TOTAL SHEETS	SHEET NO.
296	(G,F,I)	GRUNDY	11	9
FED. ROAD DIST. NO. ILLINOIS			CONTRACT NO. 66742	