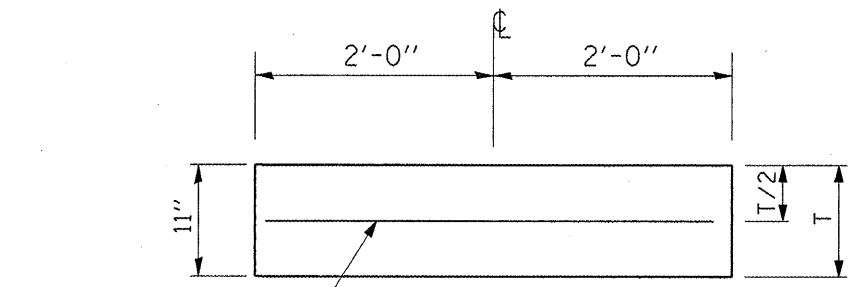
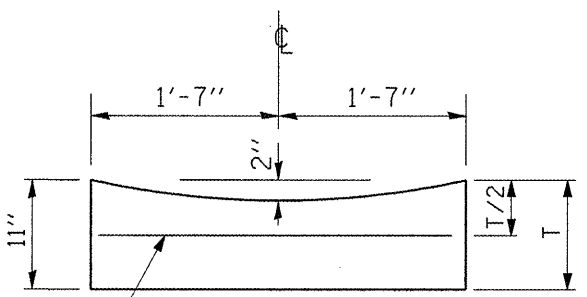


**PLAN**

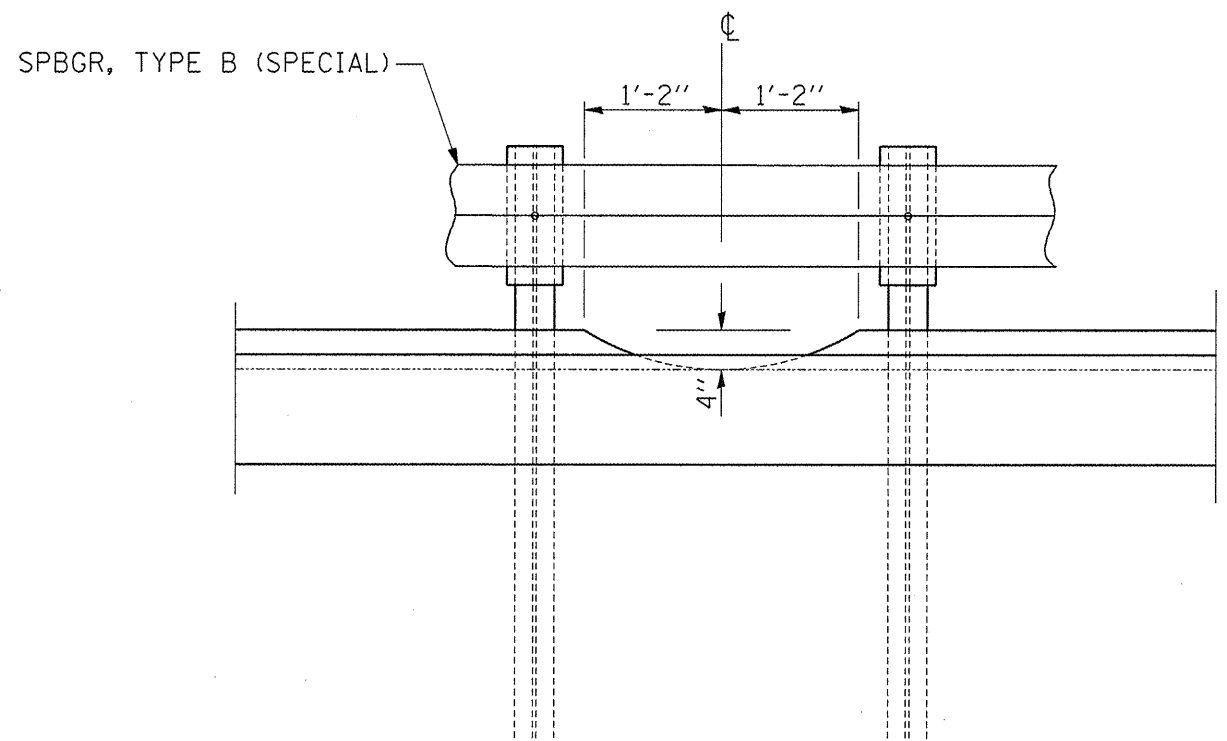
STA. 1386+12  
STA. 1387+50



**SECTION J-J**



**SECTION I-I**



**SECTION H-H**

NOTE: DIMENSIONS MAY BE ADJUSTED TO FIT FIELD CONDITIONS AT TIME OF CONSTRUCTION

FILE NAME =	USER NAME = carpenterdj
o:\projects\cmeir09\cm307\details.dgn	

DESIGNED -	REVISD -
DRAWN -	REVISD -
CHECKED -	REVISD -
DATE -	REVISD -
PLOT DATE = Mar 07, 2009 - 07:27:05 AM	

**STATE OF ILLINOIS**  
**DEPARTMENT OF TRANSPORTATION**

**GUTTER OUTLET**  
SCALE: ----- STA. 1380+00 TO STA. 1393+00

F.A.P. RTE.	SECTION	COUNTY	TOTAL SHEETS	SHEET NO.
317	(22)I-1	IRROUOIS	13	13
FED. ROAD DIST. NO. - ILLINOIS STATE AID PROJECT			CONTRACT NO. 66755	