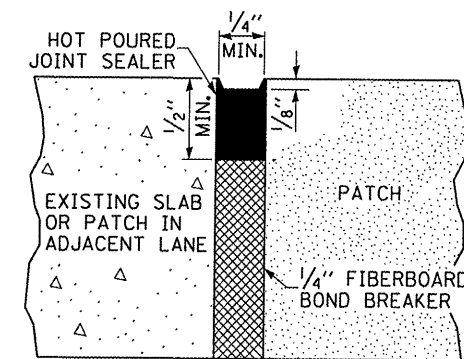
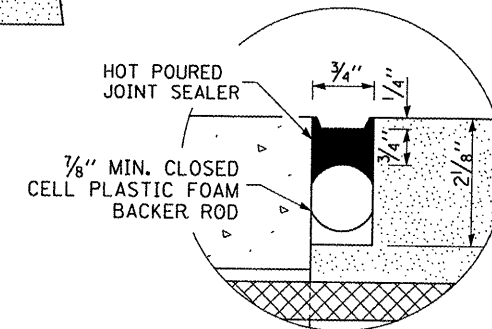


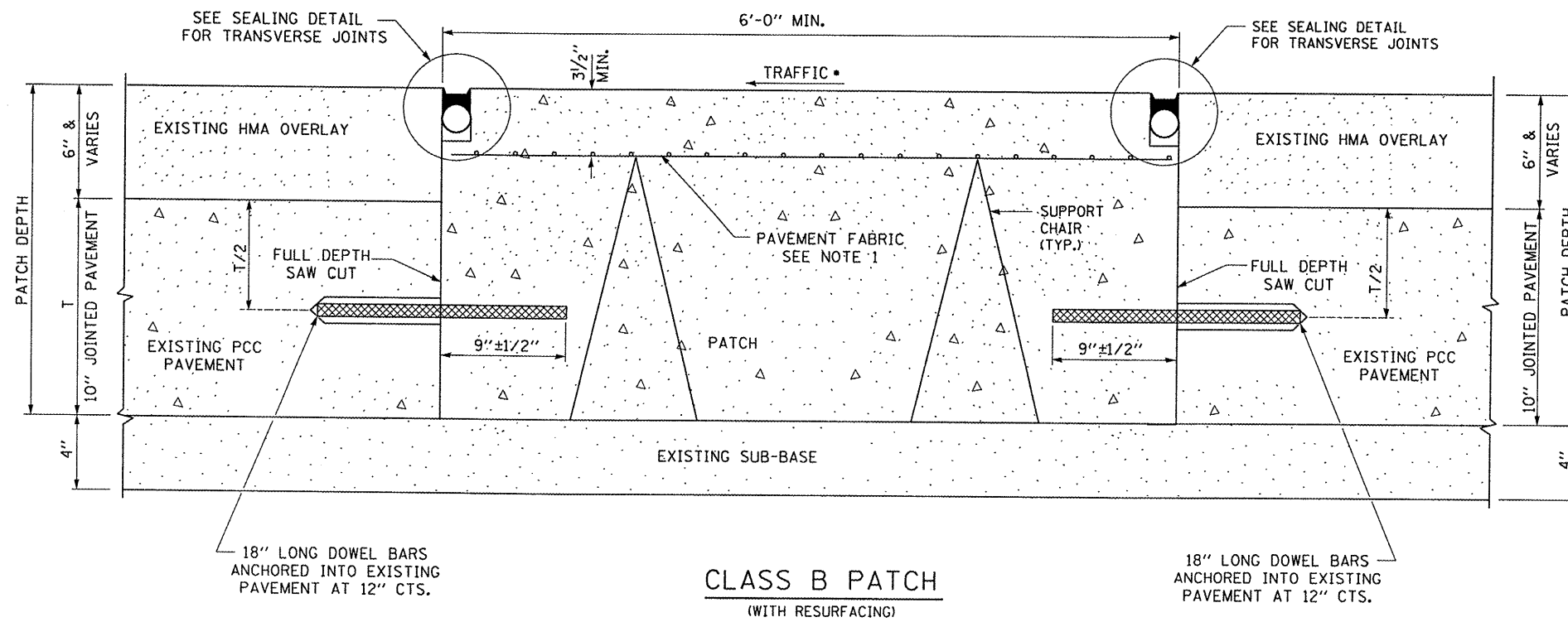
DOWEL BAR TABLE		
PAVEMENT THICKNESS	DOWEL BAR DIAMETER	HOLE DIAMETER
8" OR GREATER	1 1/2"	1 5/8"
7" THRU 7.99"	1 1/4"	1 3/8"
LESS THAN 7"	1"	1 1/8"



SEALING DETAIL
CENTERLINE JOINT



SEALING DETAIL
TRANSVERSE JOINT



CLASS B PATCH
(WITH RESURFACING)

GENERAL NOTES
 THE TRANSVERSE JOINTS FOR CLASS B PATCHES SHALL ALIGN WITH JOINTS OR CRACKS IN THE ADJACENT LANE WHENEVER POSSIBLE.
 SEE STANDARD 420701 FOR DETAILS OF PAVEMENT FABRIC.

FILE NAME : c:\projects\main\9\cm388\details.dgn	USER NAME : carpenterdj	DESIGNED RLW	REVISED -
		DRAWN RLW	REVISED -
		CHECKED -	REVISED -
		DATE -	REVISED -

STATE OF ILLINOIS
DEPARTMENT OF TRANSPORTATION

TYPE II PATCH DETAILS

SCALE: SHEET NO. 1 OF 2 SHEETS STA. TO STA.

F.A.I. RTE.	SECTION	COUNTY	TOTAL SHEETS	SHEET NO.
80	D3 PAVEMENT PATCHING	BUREAU	13	11
FED. ROAD DIST. NO. ILLINOIS			CONTRACT NO. 66778	