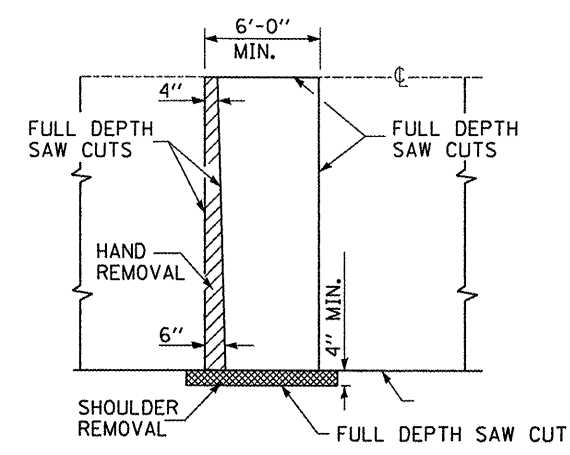
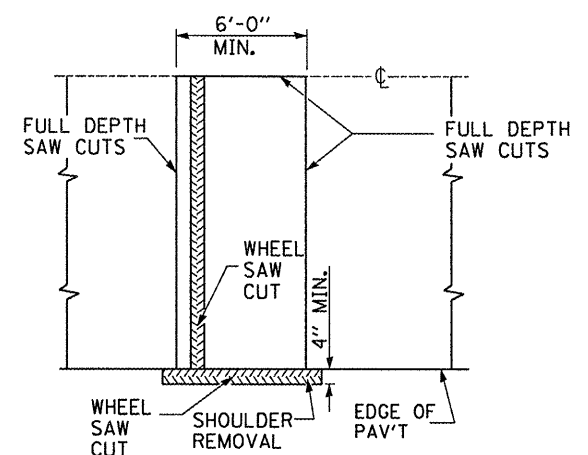


12' WIDE LANES



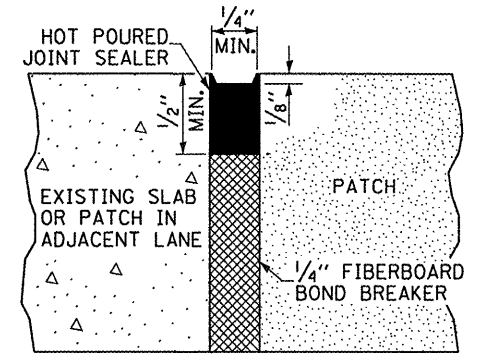
PAVEMENT SAWING DETAIL
(HMA SHOULDER)



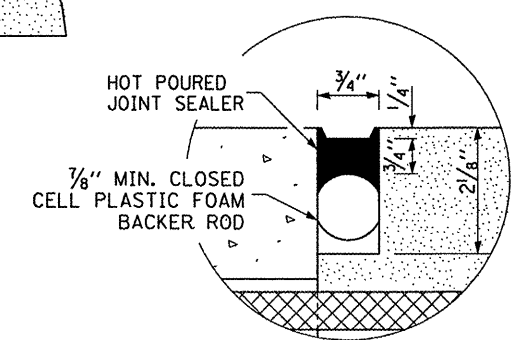
ALTERNATE SAWING DETAIL
(HMA SHOULDER)

DOWEL BAR TABLE		
PAVEMENT THICKNESS	DOWEL BAR DIAMETER	HOLE DIAMETER
8" OR GREATER	1 1/2"	1 5/8"
7" THRU 7.99"	1 1/4"	1 3/8"
LESS THAN 7"	1"	1 1/8"

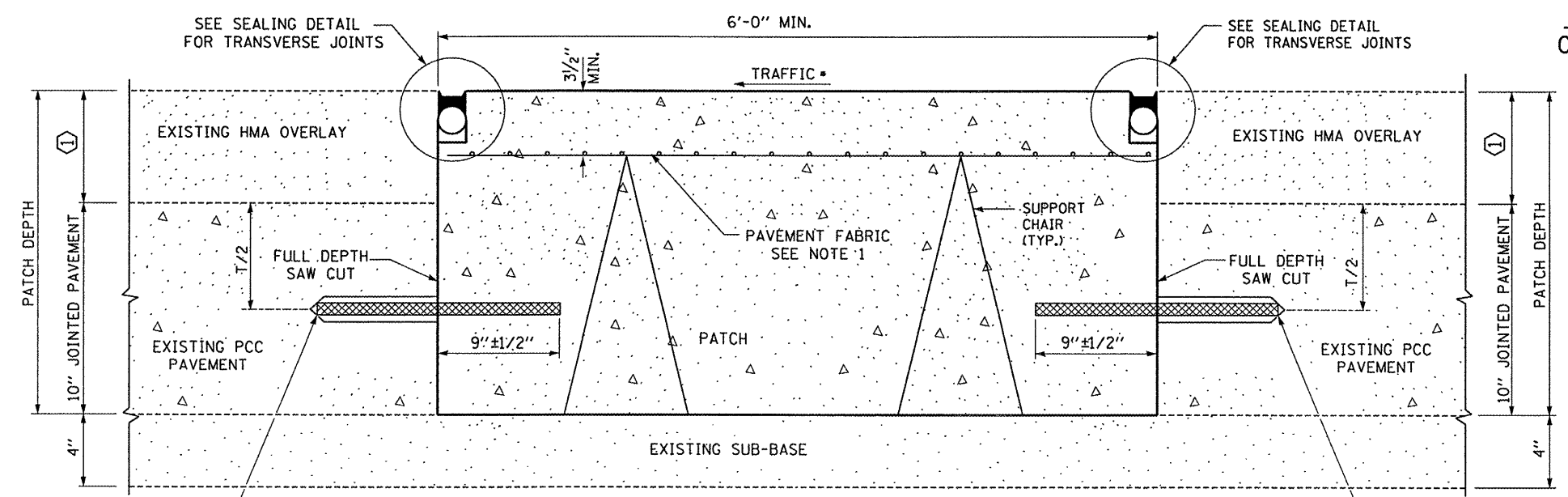
① DEPTH VARIES
SEE TYPICAL SECTIONS



SEALING DETAIL
CENTERLINE JOINT



SEALING DETAIL
TRANSVERSE JOINT



CLASS B PATCH
(WITH RESURFACING)

GENERAL NOTES

THE TRANSVERSE JOINTS FOR CLASS PATCHES SHALL ALIGN WITH JOINTS OR CRACKS IN THE ADJACENT LANE WHENEVER POSSIBLE.
SEE STANDARD 420701 FOR DETAILS OF PAVEMENT FABRIC.