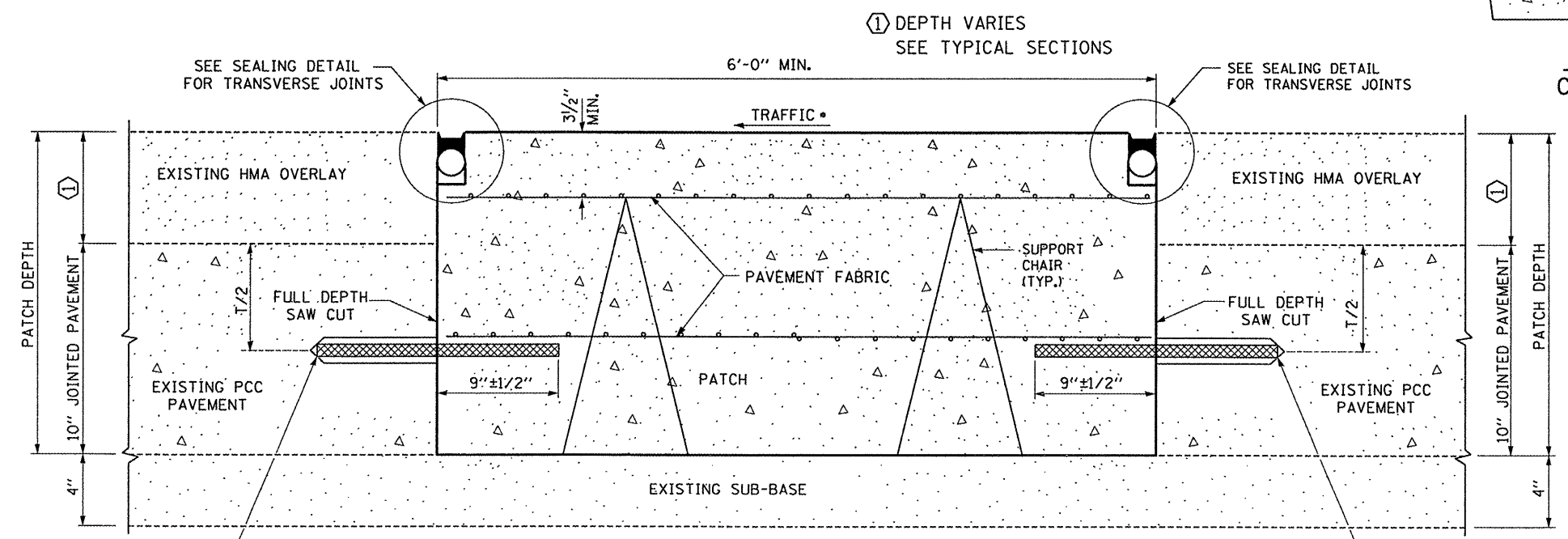
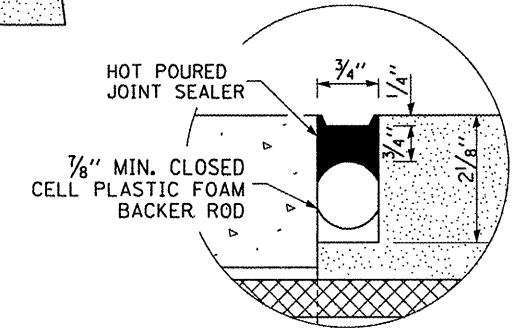
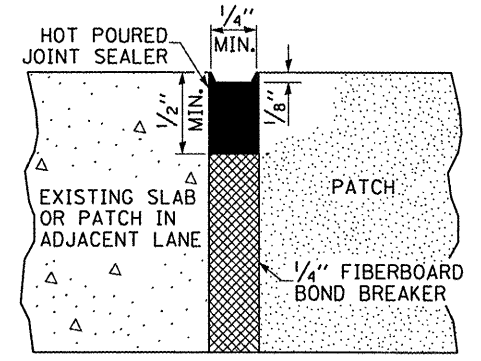


DOWEL BAR TABLE		
PAVEMENT THICKNESS	DOWEL BAR DIAMETER	HOLE DIAMETER
8" OR GREATER	1 1/2"	1 5/8"
7" THRU 7.99"	1 1/4"	1 3/8"
LESS THAN 7"	1"	1 1/8"



SEALING DETAIL  
CENTERLINE JOINT

SEALING DETAIL  
TRANSVERSE JOINT

**GENERAL NOTES**  
 THE TRANSVERSE JOINTS FOR CLASS PATCHES SHALL ALIGN WITH JOINTS OR CRACKS IN THE ADJACENT LANE WHENEVER POSSIBLE.  
 SEE STANDARD 420701 FOR DETAILS OF PAVEMENT FABRIC.

**CLASS B PATCH**  
(WITH RESURFACING)

FILE NAME =	USER NAME = woodshankr1	DESIGNED - RLW	REVISED -
or\projects\cmain\09\cm310\details.dgn		DRAWN - RLW	REVISED -
		CHECKED -	REVISED -
		DATE -	REVISED -

STATE OF ILLINOIS  
 DEPARTMENT OF TRANSPORTATION

**CLASS B PATCHING - TYPE III & IV**  
 SCALE: SHEET NO. 2 OF 2 SHEETS

*FAI 57 & FAP 332	**D3 PAVEMENT PATCHING 2009-02		
SECTION	COUNTY	TOTAL SHEETS	SHEET NO.
**	IROUOUIS	17	14
FED. ROAD DIST. NO. ILLINOIS		CONTRACT NO. 66800	