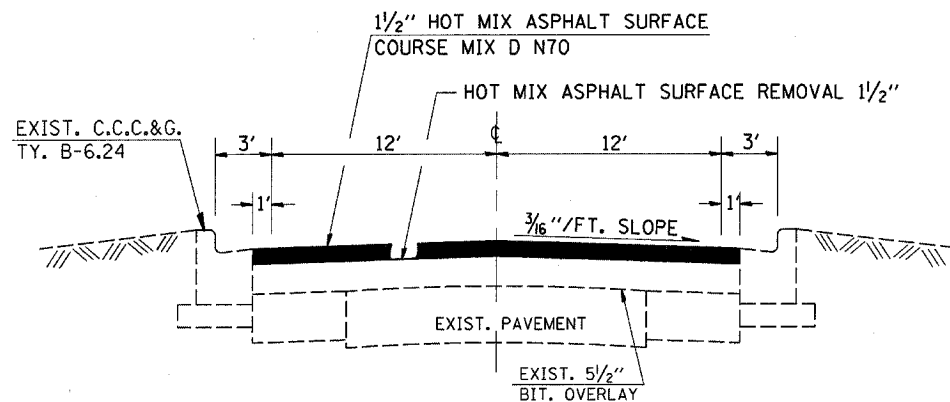


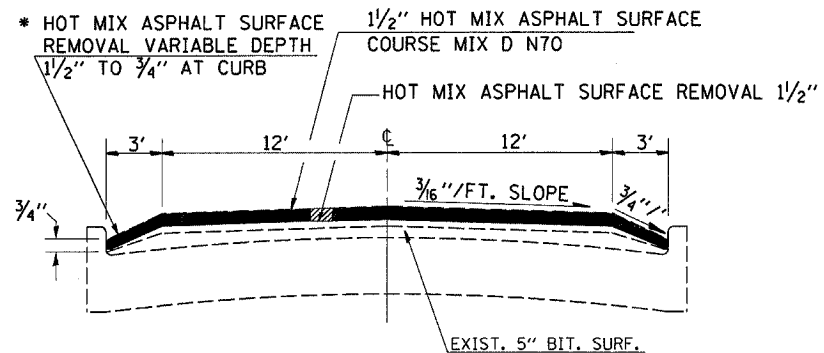
TYPICAL SECTION

STA. 491+67 (WEST CORPORATE CITY LIMITS) TO STA. 537+66.15 (CLAY ST.)



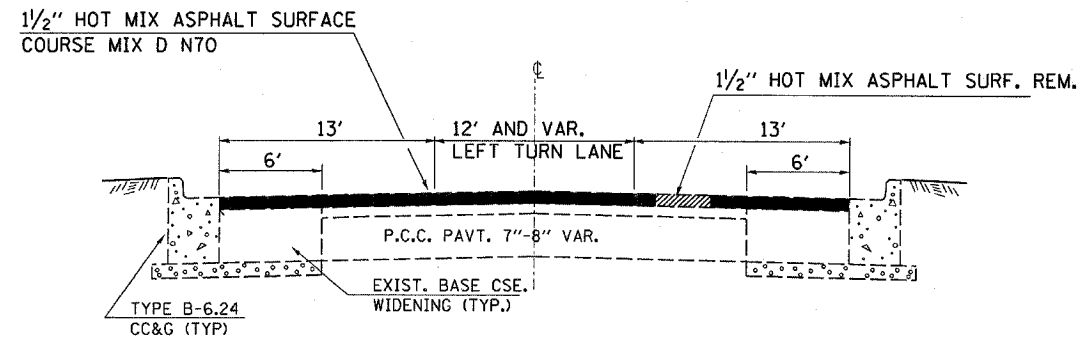
TYPICAL SECTION

STA. 537+66.15 (CLAY ST.)
TO
STA. 541+94.74 NO. (JACKSON ST.)
STA. 541+95.80 SO.



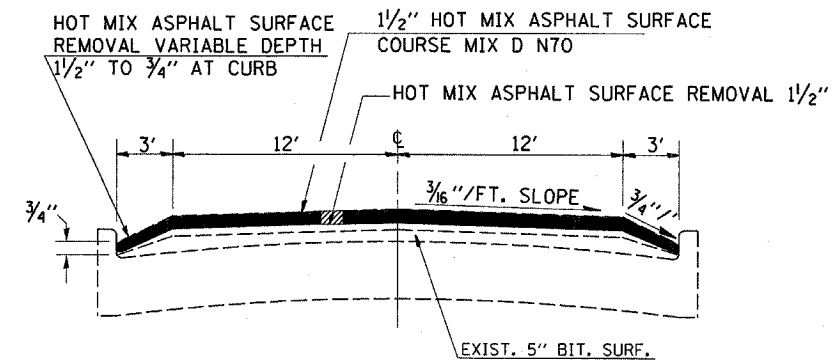
TYPICAL SECTION

STA. 541+94.74 NO. (JACKSON ST.)
STA. 541+95.80 SO.
TO
STA. 547+01 (WEBSTER ST.)



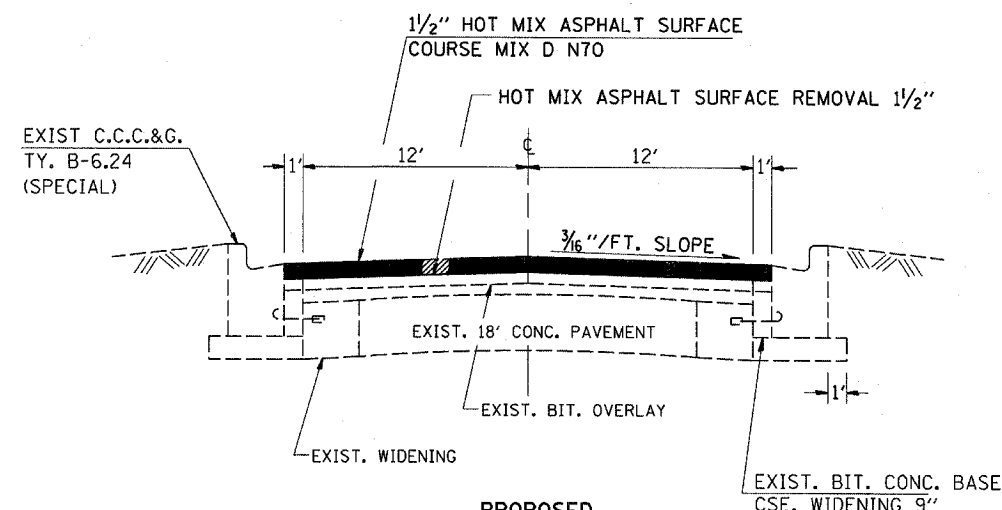
PROPOSED TYPICAL SECTION

U.S. 24 AT FIRST ST.
STA. 547+01 TO STA. 555+30



TYPICAL SECTION

555+30 SECOND STREET
TO
STA. 576+77 (SEVENTH ST.)



PROPOSED TYPICAL SECTION

STA 576+76.96 (SEVENTH ST.) TO STA. 591+57

FILE NAME =	USER NAME = fergusonsa	DESIGNED -	REVISED -	STATE OF ILLINOIS DEPARTMENT OF TRANSPORTATION	TYPICAL SECTIONS	F.A.P. RTE.	SECTION	COUNTY	TOTAL SHEETS	SHEET NO.
en\projects\4366804\4366804-shit-cover.dgn		DRAWN -	REVISED -			317	26 RS-5	LIVINGSTON	13	5
PLOT SCALE = 50.0000' / IN.		CHECKED -	REVISED -			CONTRACT NO. 66804				
PLOT DATE = Mar 31, 2008 - 04:56:44 PM		DATE -	REVISED -			SCALE:	SHEET NO. OF SHEETS	STA. TO STA.	FED. ROAD DIST. NO.	ILLINOIS FED. AID PROJECT