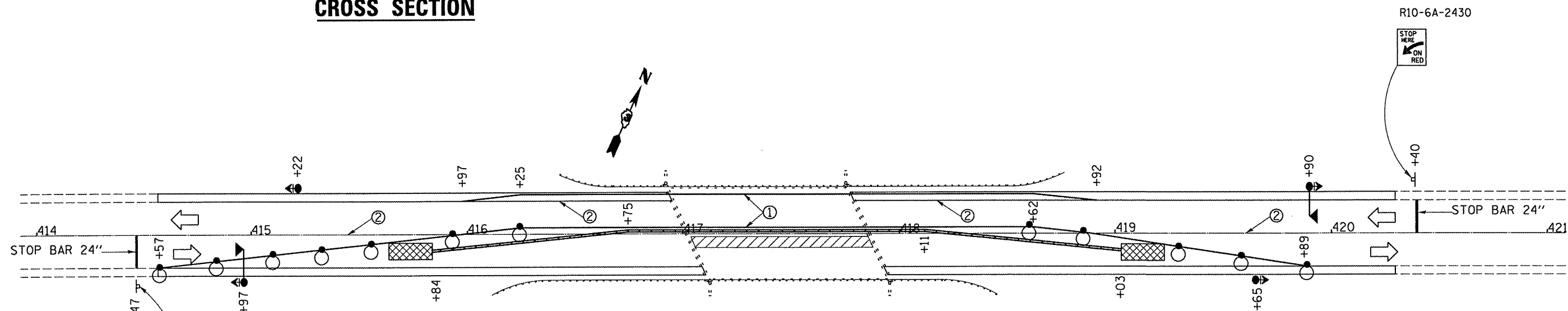


**CROSS SECTION**

**NOTES:**

1. THE CONTRACTOR HAS THE OPTION OF USING EITHER THE LINE ON THE TEMPORARY CONCRETE BARRIER OR ON THE PAVEMENT.
2. THE COST OF THE REFLECTORS AND THE BARRIER/PAVEMENT MARKING LINE IS INCLUDED IN THE COST OF THE TEMPORARY CONCRETE BARRIER.
3. THE COST OF THE TEMPORARY PAVEMENT MARKING IS INCLUDED IN THE COST OF STANDARD 701321



**STAGE II**  
SN 032-0084

- ① MARKING LINE 4"
- ② PAVEMENT MARKING REMOVAL

**SYMBOLS**

- Work area
- Sign
- Type III barricade
- Microwave detector
- Traffic signal with backplate
- Impact attenuator
- Drum with steady burning light at 25' cts.
- Temporary concrete barrier
- Double vertical panel at 25' cts.
- Crystal, bidirectional barrier wall/guardrail marker at 25' cts.

**BILL OF MATERIAL**

PAVEMENT MARKING REMOVAL	SQ FT	171
TEMPORARY CONCRETE BARRIER	FOOT	319

SEE STANDARD 701321 FOR DETAILS NOT SHOWN