

SECTIONS THRU SLAB

NOTES

Detail I - With Bar Splicer or Couplers:
Connect one (1) 1"x7"x10" steel PL to the top layer of couplers with 2-5/8" φ bolts screwed to coupler at approximate C of each barrier panel.

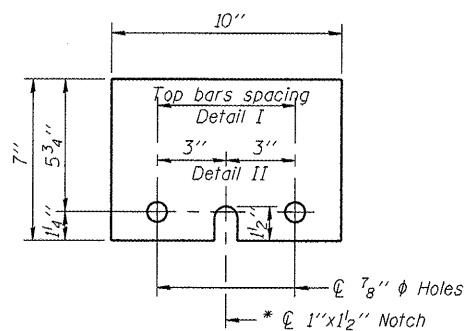
Detail II - With Extended Reinforcement Bars:
Connect one (1) 1"x7"x10" steel PL to the concrete slab with 2-5/8" φ Expansion Anchors or cast in place inserts spaced between the top layer of reinforcement at approximate C of each barrier panel.

Cost of anchorage is included with Temporary Concrete Barrier.

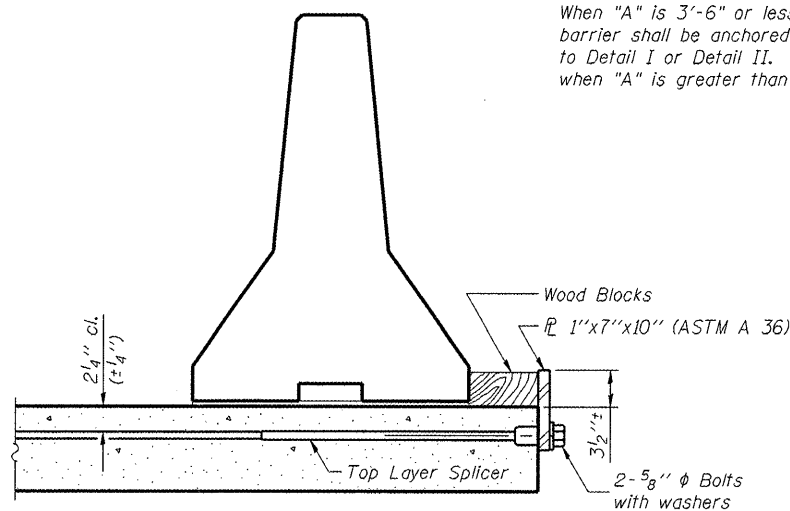
See Detail I or Detail II.

Styrofoam Pads (NJ Shape only) See Standard 704001

Drill 1/4" φ Holes in existing slab for 1" φ x 10" dowel bars. Traffic side only. Cost included with Temporary Concrete Barrier.

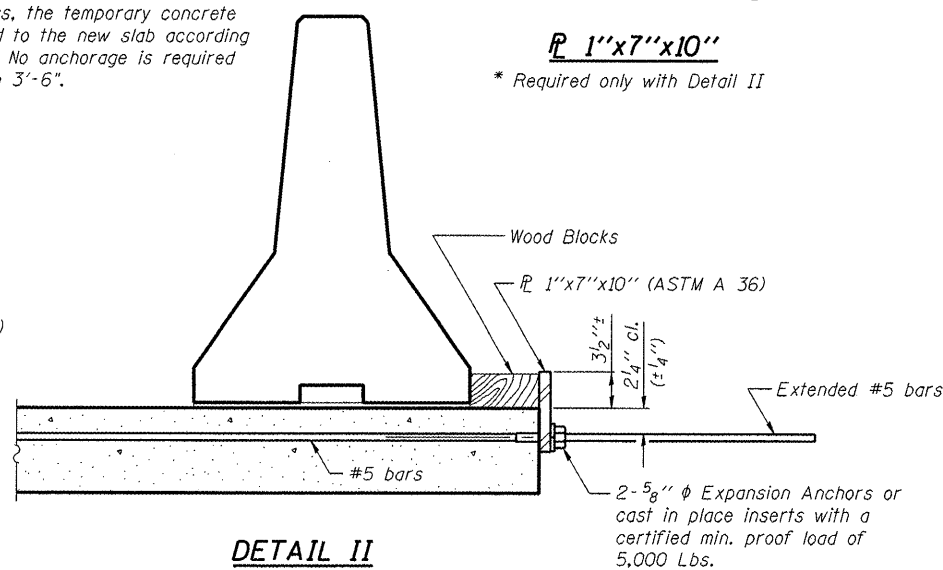


PL 1"x7"x10"
* Required only with Detail II



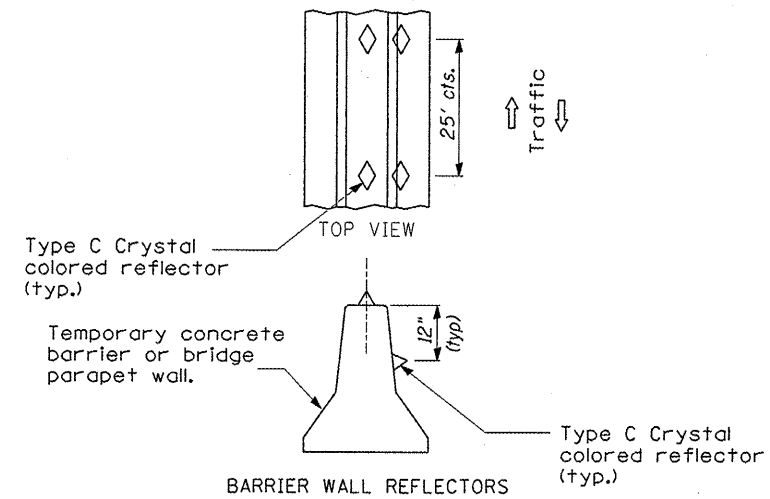
DETAIL I

The 1"x7"x10" Plate shall not be removed until Stage II Construction forms and reinforcement bars are in place.

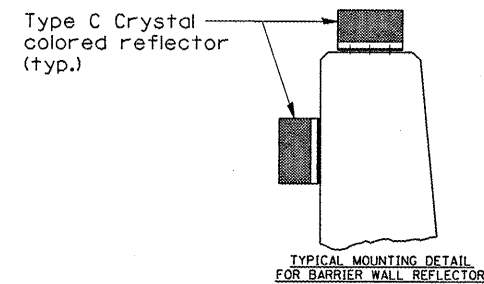


DETAIL II

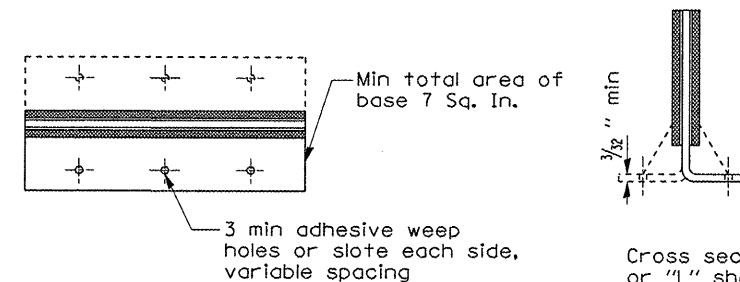
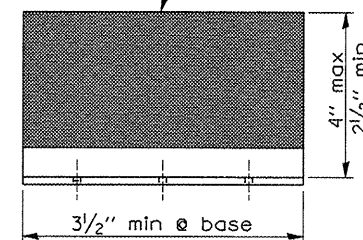
The 1"x7"x10" Plate shall not be removed until Stage II Construction forms and all reinforcement bars are in place and the concrete is ready to be placed.



DETAIL A



Min. reflective area 6 1/2" each side may be rectangular or slight trapezoid



Cross section may be "T" or "L" shaped and may have side supports at ends.

TYPE C REFLECTOR

FILE NAME =	USER NAME = carpenter.dj	DESIGNED - RLW	REVISED - ---
c:\projects\deck beam repl 08\sn 032-0034.dgn		DRAWN - RLW	REVISED - ---
	PLOT SCALE = 1/32" = 1' IN.	CHECKED - ---	REVISED - ---
	PLOT DATE = Mar 12, 2008 - 08:17:36 AM	DATE - ---	REVISED - ---

**STATE OF ILLINOIS
DEPARTMENT OF TRANSPORTATION**

TEMPORARY CONCRETE BARRIER

SCALE: _____ SHEET NO. 1 OF 1 SHEETS

F.A.P. RTE. 623	SECTION (O-BR-1)I	COUNTY GRUNDY	TOTAL SHEETS 12	SHEET NO. 8
CONTRACT NO. 66808				
FED. ROAD DIST. NO. ILLINOIS FED. AID PROJECT				