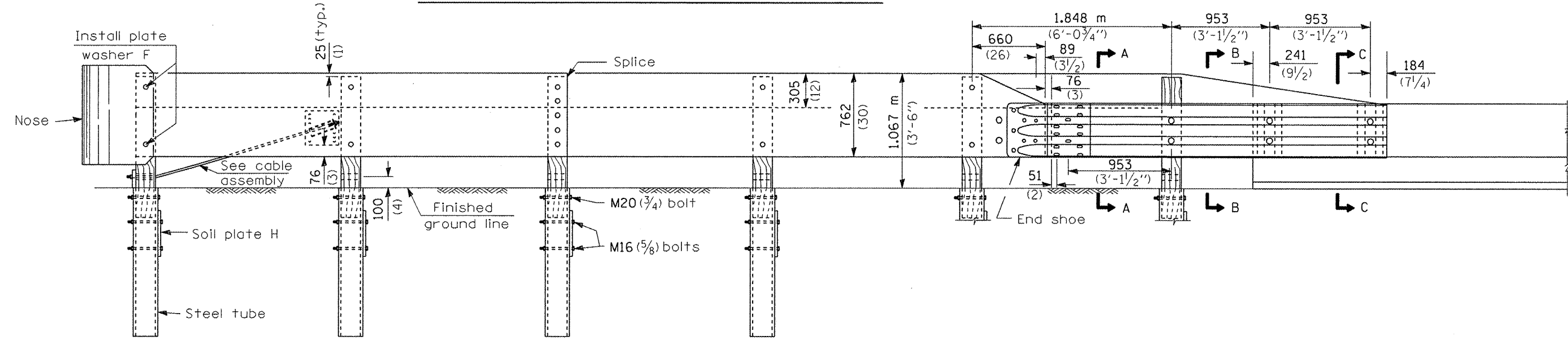
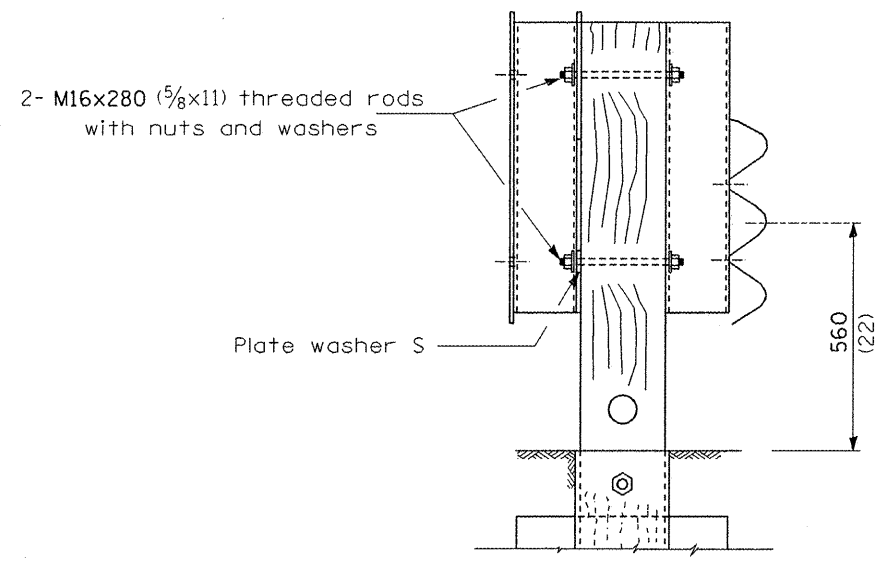


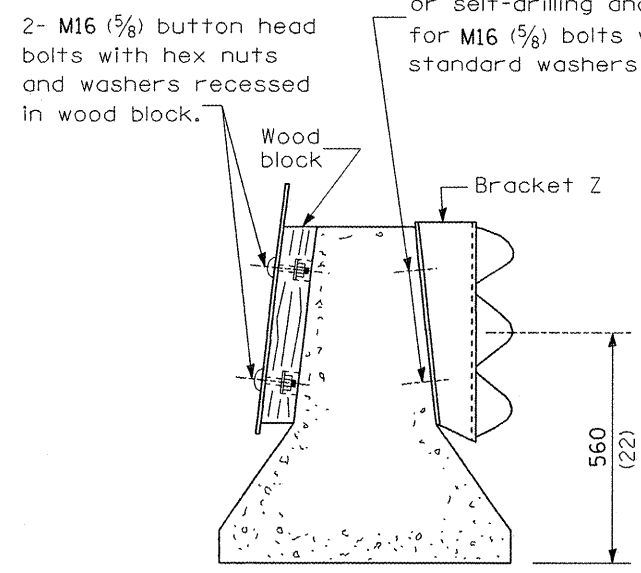
PLAN - TRAFFIC BARRIER TERMINAL TYPE 3A



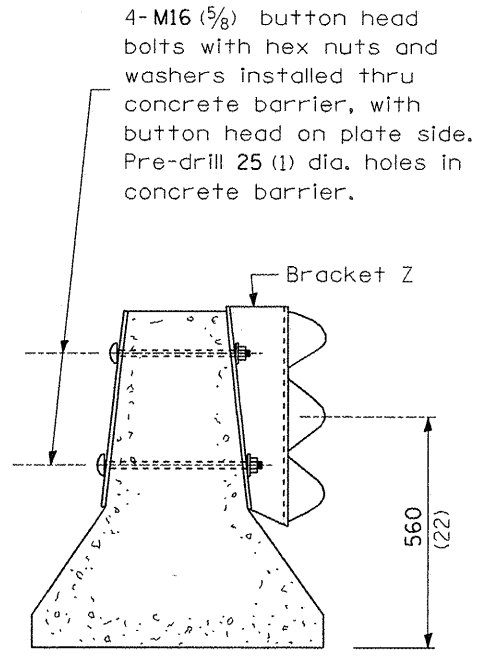
ELEVATION



SECTION A-A



SECTION B-B



SECTION C-C

DETAIL INCLUDED FOR REPAIR ONLY

All dimensions are in millimeters (inches) unless otherwise shown.

FILE NAME =	USER NAME = schwankerg	DESIGNED -	REVISED -	STATE OF ILLINOIS DEPARTMENT OF TRANSPORTATION	TRAFFIC BARRIER TERMINAL TYPE 3 & 3A	F.A. RTE.	SECTION	COUNTY	TOTAL SHEETS	SHEET NO.	
PROJECT NO. = 366812	PLOT SCALE = 1/8" = 1'-0"	DRAWN -	REVISED -			VAR.	VAR.	VAR.	36	12	
PLOT DATE = May 21, 2008 - 03:35:34 PM	DATE -	CHECKED -	REVISED -			CONTRACT NO. 66812					
						SCALE: SHEET NO. OF SHEETS STA. TO STA.		FED. ROAD DIST. NO. ILLINOIS FED. AID PROJECT			

D-3 HIGHWAY DAMAGE REPAIR 2009