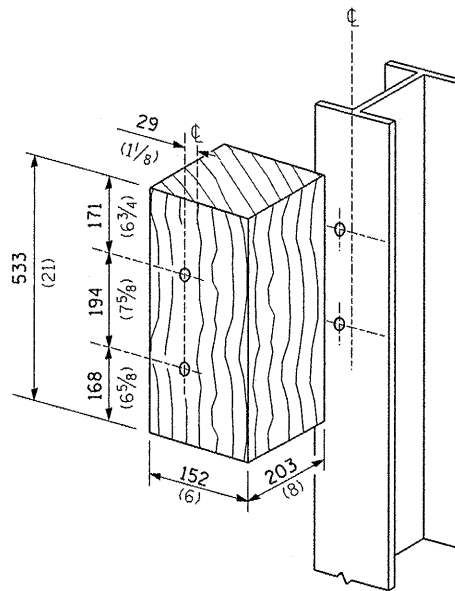
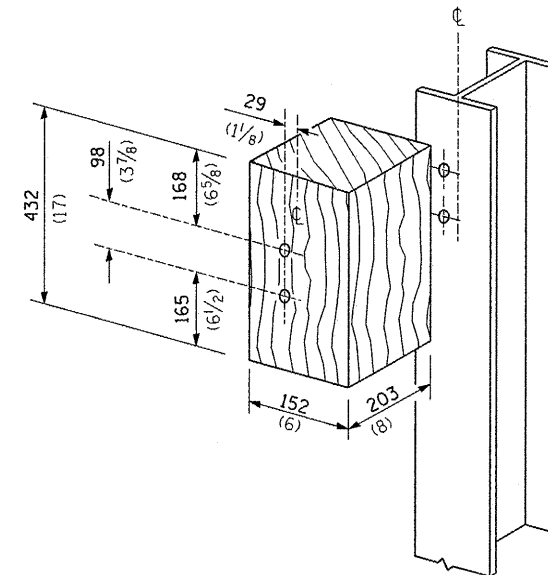


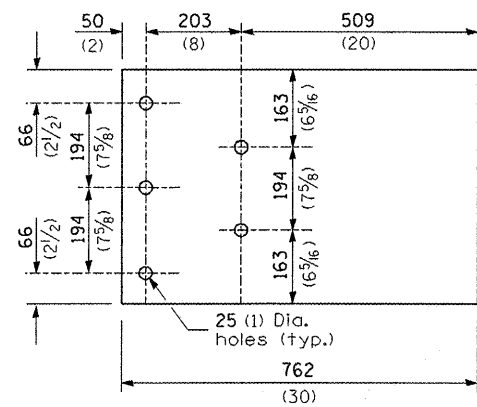
THRIE BEAM END SHOE DETAIL



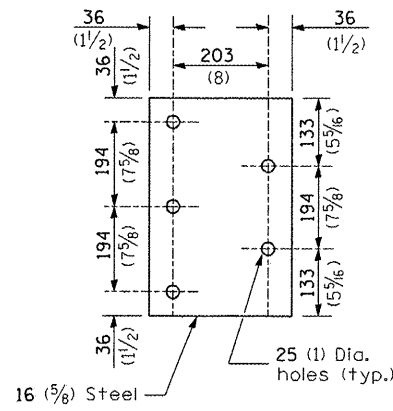
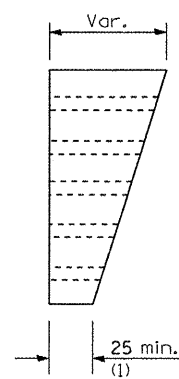
POSTS 1-11 WOOD BLOCKOUT DETAIL



POST 12 WOOD BLOCKOUT DETAIL



PARAPET WOOD BLOCK-OUT DETAIL



PARAPET STEEL BEARING PLATE DETAIL

(5 each individual 125x125x16 (5x5x5/8) steel plates with centered 25 (1) holes may be substituted for the plate shown.)

FILE NAME =	USER NAME = schwankerg	DESIGNED -	REVISED -
cr\projects\4366812\4366812-sht-details.dgn		DRAWN -	REVISED -
PLOT SCALE = 1/8" = 1' IN.		CHECKED -	REVISED -
PLOT DATE = May 21, 2008 - 03:38:11 PM		DATE -	REVISED -

STATE OF ILLINOIS
DEPARTMENT OF TRANSPORTATION

PRE-MGS EFFECTIVE 4-1-06
TRAFFIC BARRIER TERMINAL, TYPE 6
STANDARD 631031-05

F.A. RTE.	SECTION	COUNTY	TOTAL SHEETS	SHEET NO.
VAR.	*	VAR.	36	28
FED. ROAD DIST. NO.			ILLINOIS FED. AID PROJECT	

SHEET NO. OF SHEETS STA. TO STA.

D-3 HIGHWAY DAMAGE REPAIR 2009

Sheet 3 of 3

CONTRACT NO. 66812