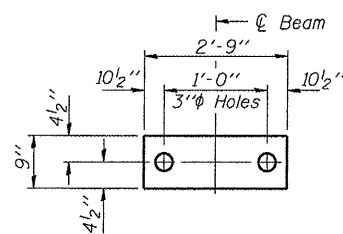


STATE OF ILLINOIS
DEPARTMENT OF TRANSPORTATION

ROUTE NO.	SECTION	COUNTY	TOTAL SHEETS	SHEET NO.
FAP 681	(117BR)	IROQUOIS	13	12
FED. ROAD DIST. NO. 7	ILL. PROJ. NO.	FED. AID PROJECT-		

Contract Number: 66817

SHEET NO. 3
4 SHEETS



FABRIC BEARING PAD

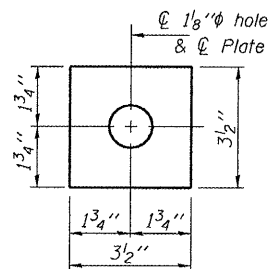
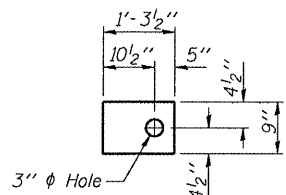
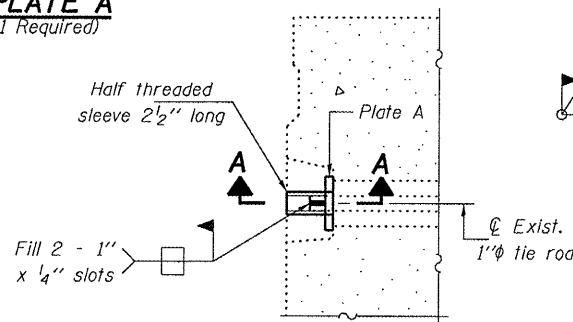


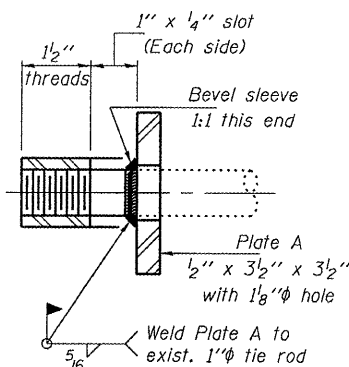
PLATE A
(1 Required)



FABRIC ADJUSTING SHIM

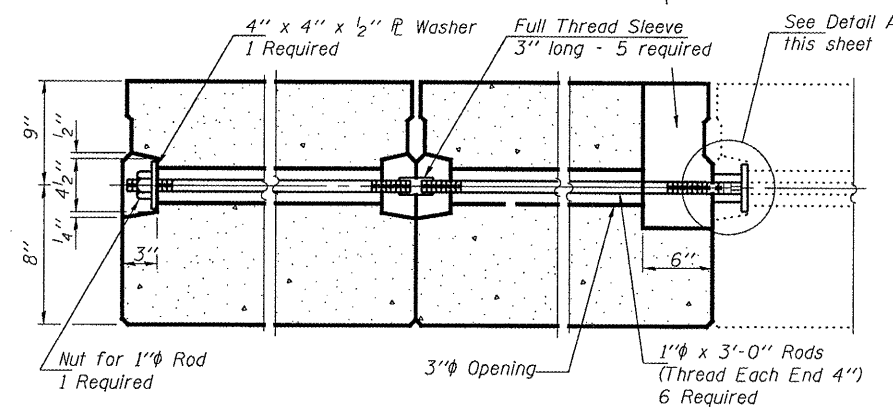


DETAIL A

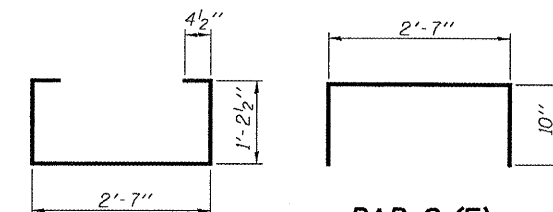


SECTION A-A
(1 Required)

6" x 6" x 1 1/2" Blockout to be filled with Class BS Concrete after Beams have been installed. Cost shall be included in the cost of "Precast Prestressed Concrete Deck Beams (17")"

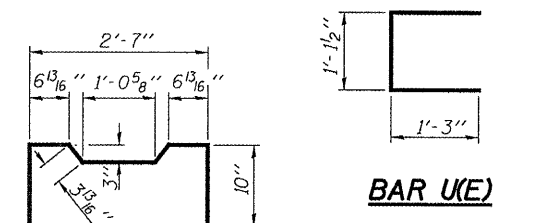


TYPICAL TRANSVERSE TIE ASSEMBLY

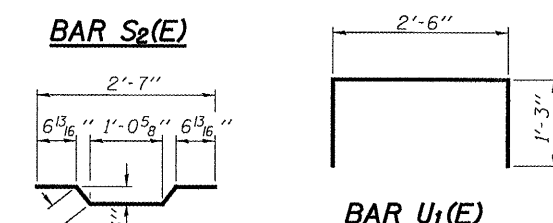


BAR S(E)

BAR S₁(E)

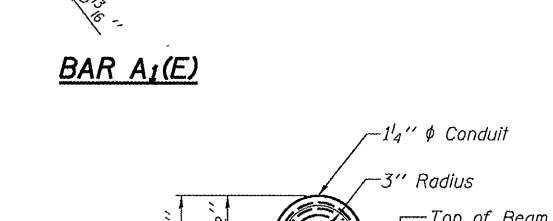


BAR U(E)

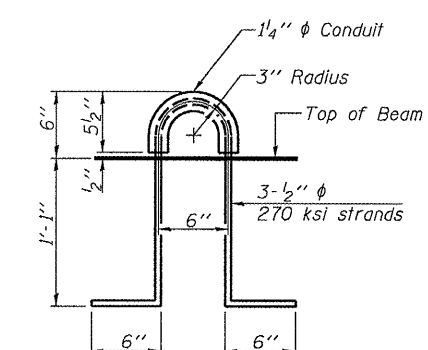


BAR S₂(E)

BAR U₁(E)



BAR A₁(E)



LIFTING LOOP DETAIL

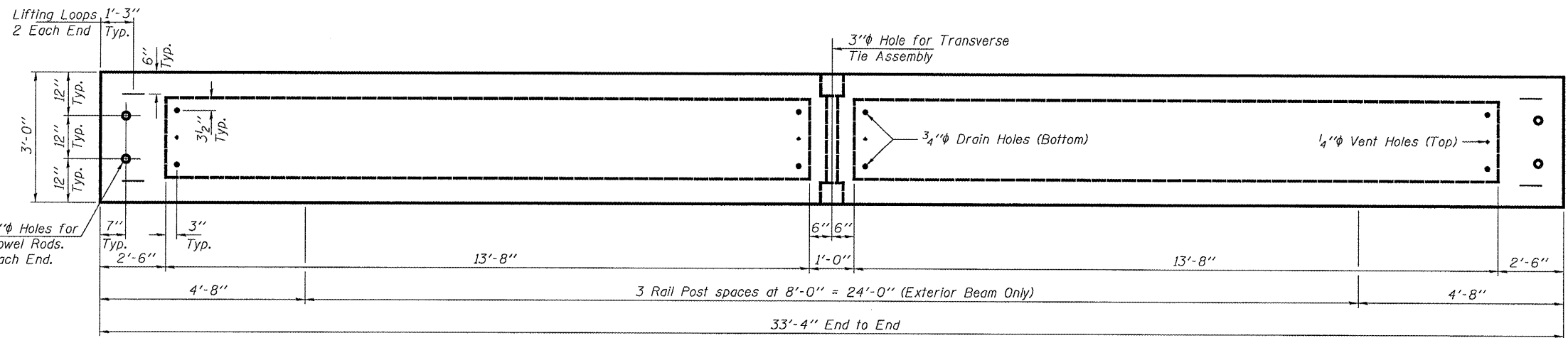
BILL OF MATERIAL

Precast Prestressed Conc. Deck Bms. (17" depth)	Sq. Ft.	600
---	---------	-----

REPAIR DETAILS
FAP 681
IROQUOIS COUNTY
SN 038-0122

NOTES

Prestressing steel shall be uncoated high strength, low relaxation 7-wire strand, Grade 270. The nominal diameter shall be 1/2" and the nominal cross-sectional area shall be 0.153 sq. in.
The 1" rods in the transverse tie assembly shall be tightened to a snug fit and the threads set. Pockets on exterior faces of bridge shall be filled with grout after transverse tie assembly is in place.
Reinforcement bars shall conform to ASTM A 706 (IL MOD), Grade 60. (See Special Provisions)
Two 1/8" fabric adjusting shims of the dimensions shown shall be provided for each bearing pad location.
A minimum 2 1/2" lifting pin shall be used to engage the lifting loops during handling.
Corrosion Inhibitor, per Article 1020.05(b)(12) and 1021.06 of the Standard Specifications, shall be used in the concrete for precast prestressed concrete deck beams.
Compressive strength of prestressed concrete, f'c, shall be 6000 psi.
Compressive strength of prestressed concrete at release, f'ci, shall be 5000 psi.



BEAM PLAN

DESIGNED	ATH
CHECKED	AJB
DRAWN	Steffen
CHECKED	ATH AJB

MAY 8, 2008
EXAMINED *Carl Hoyer*
ENGINEER OF STRUCTURAL SERVICES
PASSED *Ralph E. Anderson*
ENGINEER OF BRIDGES AND STRUCTURES