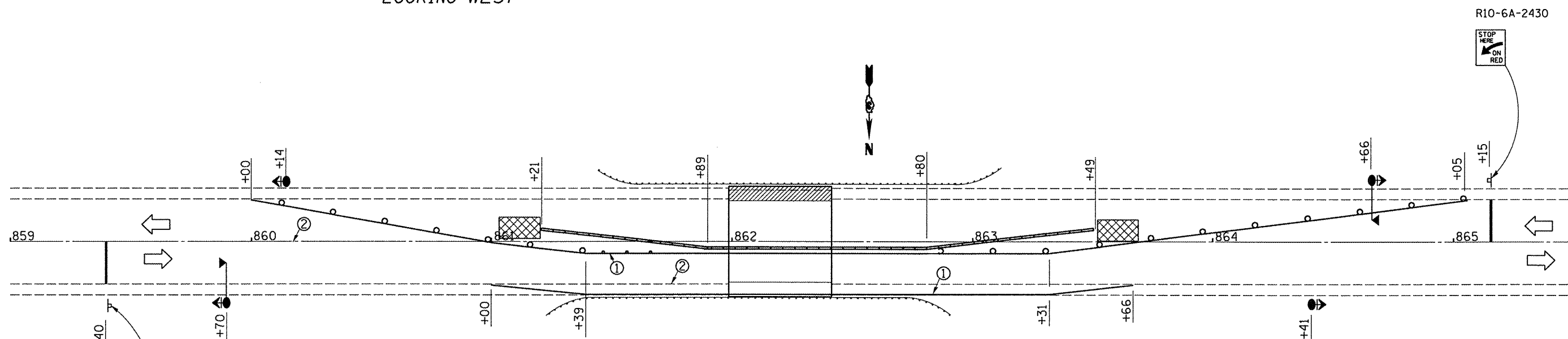


**CROSS SECTION**  
LOOKING WEST

**NOTES:**

1. THE CONTRACTOR HAS THE OPTION OF USING EITHER THE LINE ON THE TEMPORARY CONCRETE BARRIER OR ON THE PAVEMENT.
2. THE COST OF THE REFLECTORS AND THE BARRIER/PAVEMENT MARKING LINE IS INCLUDED IN THE COST OF THE TEMPORARY CONCRETE BARRIER.
3. THE COST OF THE TEMPORARY PAVEMENT MARKING IS INCLUDED IN THE COST OF STANDARD 701321



- ① TEMPORARY PAVEMENT MARKING LINE 4"
- ② PAVEMENT MARKING REMOVAL

**BILL OF MATERIAL**

PAVEMENT MARKING REMOVAL	SQ FT	88
RELOCATE TEMPORARY CONCRETE BARRIER	FOOT	227
IMPACT ATTENUATOR, RELOCATE (NON-REDIRECTIVE, TEST LEVEL 3)	EACH	2
THERMOPLASTIC PAVEMENT MARKING - LINE 4"	FOOT	532
THERMOPLASTIC PAVEMENT MARKING - LINE 6"	FOOT	144

**SYMBOLS**

Work area

Sign

Type III barricade

Microwave detector

Traffic signal with backplate

Impact attenuator

Drum with steady burning light at 25' cts.

Temporary concrete barrier

Double vertical panel at 25' cts.

Crystal, bidirectional barrier wall/guardrail marker at 25' cts.

SEE STANDARD 701321 FOR DETAILS NOT SHOWN

FILE NAME =	USER NAME = woodshankr1	DESIGNED - RLW	REVISED - ---
or\projects\view\deck beam repl 00\an 07-2005.dgn		DRAWN - RLW	REVISED - ---
	PLOT SCALE = 103.4829" / IN.	CHECKED - ---	REVISED - ---
	PLOT DATE = Mar 14, 2009 - 08:19:32 AM	DATE - ---	REVISED - ---

STATE OF ILLINOIS  
DEPARTMENT OF TRANSPORTATION

**STAGING DETAILS - STAGE III**

SCALE: \_\_\_\_\_ SHEET NO. 1 OF 1 SHEETS STA. \_\_\_\_\_ TO STA. \_\_\_\_\_

F.A.P. RTE. 693	SECTION (19-BR-1)	COUNTY FORD	TOTAL SHEETS 15	SHEET NO. 8
FED. ROAD DIST. NO. _____ ILLINOIS FED. AID PROJECT			CONTRACT NO. 66819	