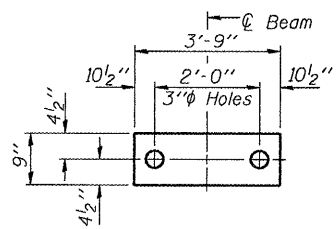


STATE OF ILLINOIS
DEPARTMENT OF TRANSPORTATION

ROUTE NO.	SECTION	COUNTY	DATE	SHEET	SHEET NO. 3 5 SHEETS
FA 693		FORD	15	13	
Contract Number: 66819					



FABRIC BEARING PAD

FABRIC ADJUSTING SHIM

FIXED

Note: Omit holes when using expansion bearings.

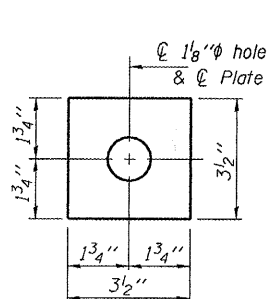
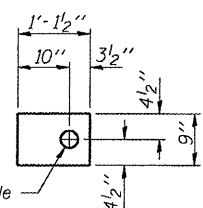
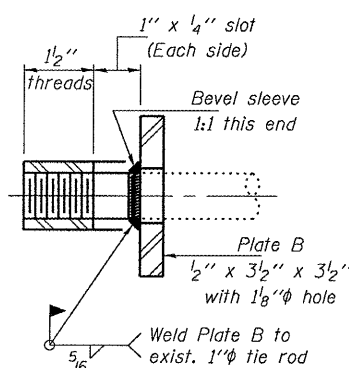
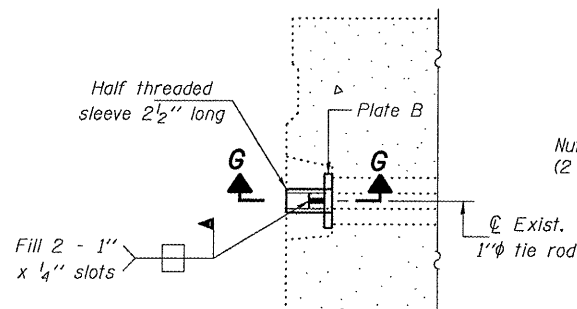


PLATE B
(2 Required)

6" x 6" x 1'-1" Blockout to be filled with Class BS Concrete after Beams have been installed. Cost shall be included in the cost of Precast Prestressed Concrete Deck Beams (21'). Contractor shall ensure exposed strands within Blockout are not damaged during installation.

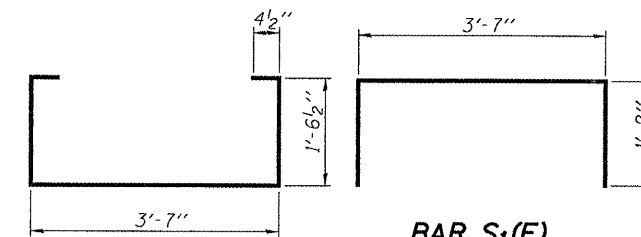


SECTION G-G
(2 Required)

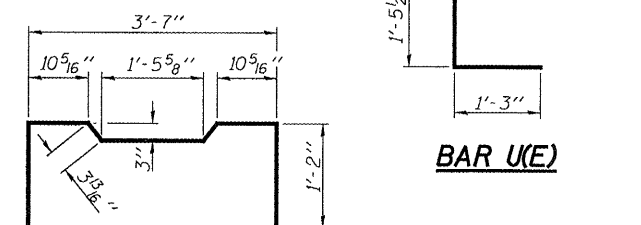


DETAIL A

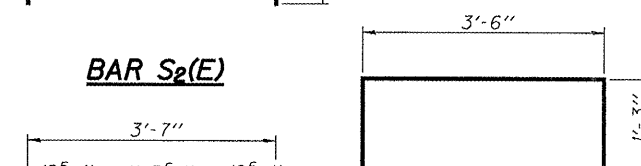
TRANSVERSE TIE ASSEMBLY



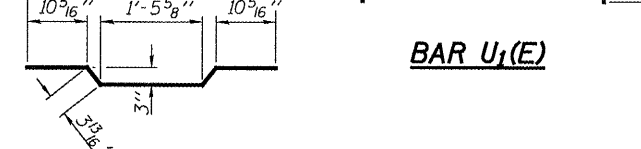
BAR S(E)



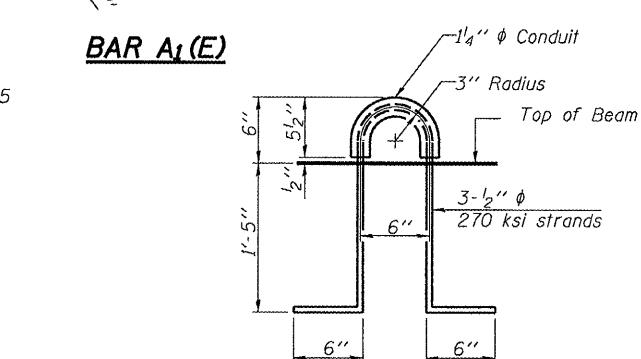
BAR U(E)



BAR S2(E)



BAR U1(E)



BAR A1(E)

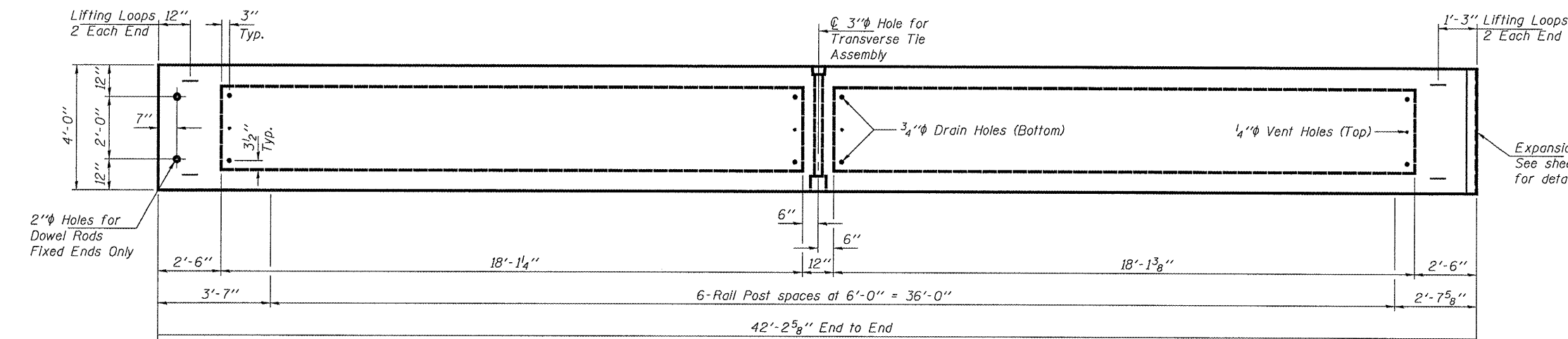
LIFTING LOOP DETAIL

BILL OF MATERIAL

Precast Prestressed Conc. Deck Bms. (21' depth)	Sq. Ft. 337.8
---	---------------

BEAM DETAILS

FAP 693 OVER W. BR. DRUMMER CREEK
FORD COUNTY
SN 027-0005



BEAM PLAN

NOTES

Prestressing steel shall be uncoated high strength, low relaxation 7-wire strand, Grade 270. The nominal diameter shall be 1/2" and the nominal cross-sectional area shall be 0.153 sq. in. The 1" rods in the transverse tie assembly shall be tightened to a snug fit and the threads set. Pockets on exterior faces of bridge shall be filled with grout after transverse tie assembly is in place. Reinforcement bars shall conform to ASTM A 706 (1L MOD), Grade 60. (See Special Provisions) Two 1/8" fabric adjusting shims of the dimensions shown shall be provided for each bearing pad location. A minimum 2 1/2" lifting pin shall be used to engage the lifting loops during handling. Corrosion Inhibitor, per Article 1020.05(b)(12) and 1021.06 of the Standard Specifications, shall be used in the concrete for precast prestressed concrete deck beams. Compressive strength of prestressed concrete, f'c, shall be 6000 psi. Compressive strength of prestressed concrete at release, f'ci, shall be 5000 psi.

DESIGNED	AJB
CHECKED	ATH
DRAWN	Steffen
CHECKED	AJB ATH

MAY 2, 2008
EXAMINED *Carl Hoyer*
ENGINEER OF STRUCTURAL SERVICES
PASSED *Ralph E. Anderson*
ENGINEER OF BRIDGES AND STRUCTURES