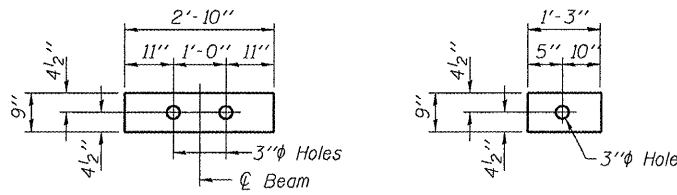


STATE OF ILLINOIS
DEPARTMENT OF TRANSPORTATION

| | | | | | |
|-----------------------|-----------------|------------------|--------------|-----------|-------------------------|
| ROUTE NO. | SECTION | COUNTY | TOTAL SHEETS | SHEET NO. | SHEET NO. 3 5 SHEETS |
| FAP 681 | (13BR) | LIVINGSTON | 15 | 13 | |
| FED. ROAD DIST. NO. 7 | ILL. IND. PROJ. | FED. AID PROJECT | | | |

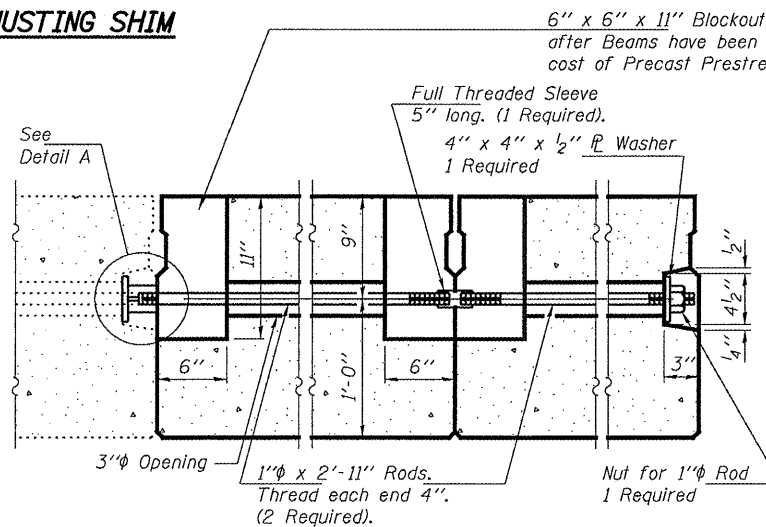
Contract Number: 66821



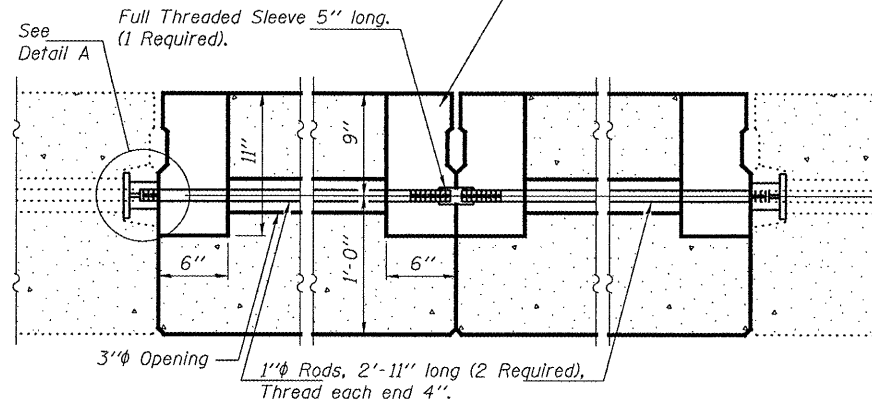
FABRIC BEARING PAD FABRIC ADJUSTING SHIM

FIXED

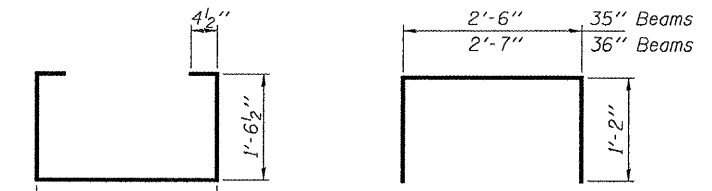
Note: Omit holes when using expansion bearings.



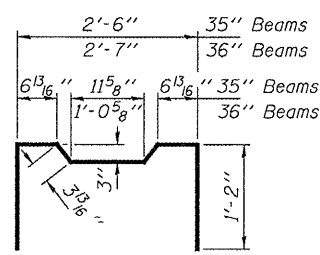
TRANSVERSE TIE ASSEMBLY
(Typ. beam 11 & 12 replacement)



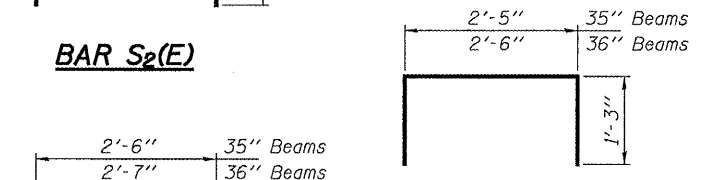
TRANSVERSE TIE ASSEMBLY
(Typ. beam 4 & 5 replacement)



BAR S1(E)

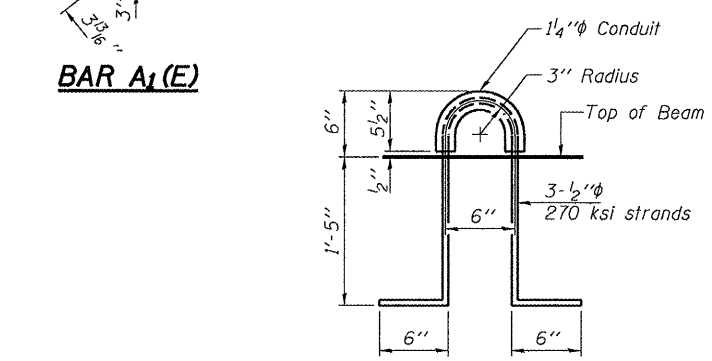


BAR U(E)



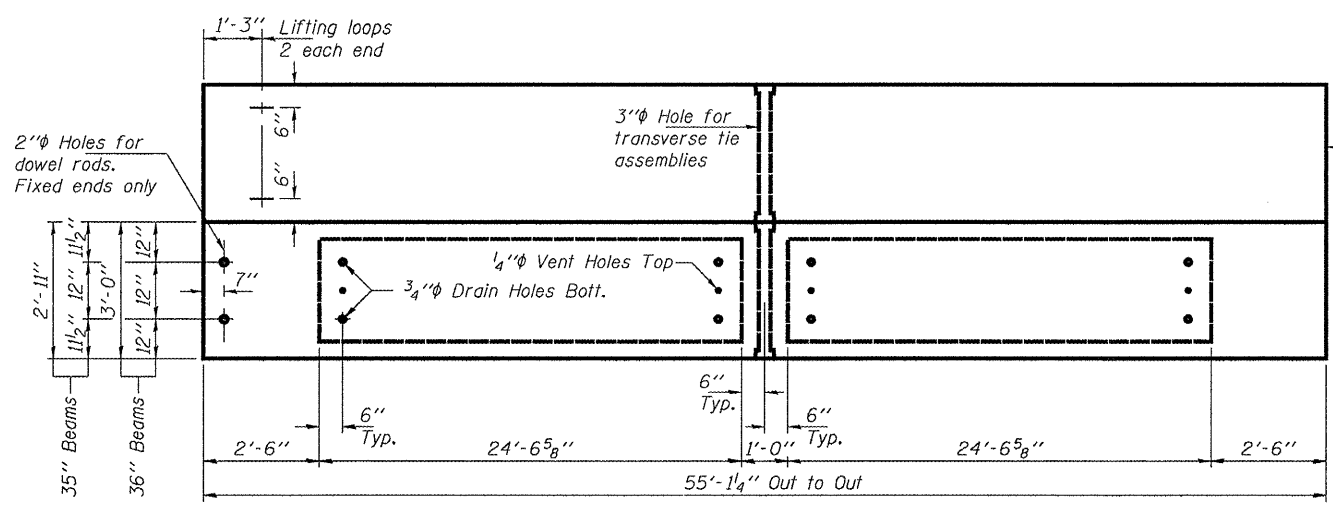
BAR S2(E)

BAR U1(E)



BAR A1(E)

LIFTING LOOP DETAIL



PLAN

See Detail A on sheet 4 of 5 for expansion details.

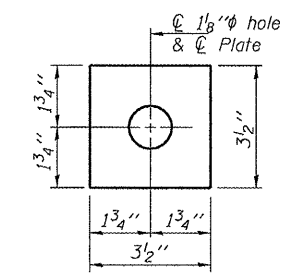
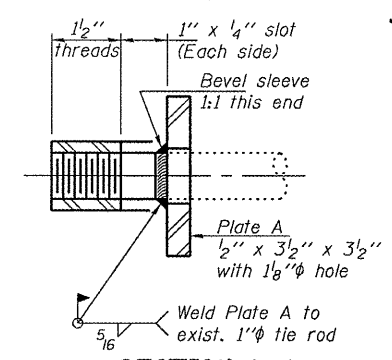
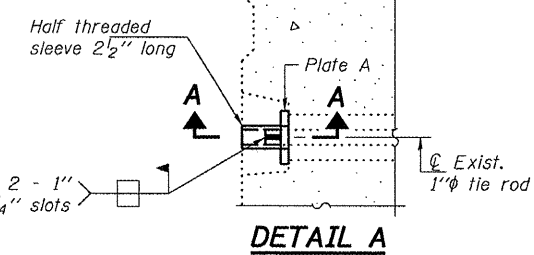


PLATE A
(3 Required)



SECTION A-A
(3 Required)



DETAIL A

NOTES

Prestressing steel shall be uncoated high strength, low relaxation 7-wire strand, Grade 270. The nominal diameter shall be 1/2" and the nominal cross-sectional area shall be 0.153 sq. in. The 1" rods in the transverse tie assembly shall be tightened to a snug fit and the threads set. Pockets on exterior faces of bridge shall be filled with grout after transverse tie assembly is in place. Reinforcement bars shall conform to ASTM A 706 (IL MOD), Grade 60. (See Special Provisions) Two 3/8" fabric adjusting shims of the dimensions shown shall be provided for each bearing pad location. A minimum 2 1/2" lifting pin shall be used to engage the lifting loops during handling. Corrosion Inhibitor, per Article 1020.05(b)(12) and 1021.06 of the Standard Specifications, shall be used in the concrete for precast prestressed concrete deck beams. Compressive strength of prestressed concrete, f'c, shall be 6000 psi. Compressive strength of prestressed concrete at release, f'cl, shall be 5000 psi.

BILL OF MATERIAL

| | | |
|---|---------|-----|
| Precast Prestressed Conc. Deck Bms. (21" depth) | Sq. Ft. | 657 |
|---|---------|-----|

REPAIR DETAILS
FAP 681
LIVINGSTON COUNTY
SN 053-0159

| | |
|----------|---------|
| DESIGNED | ATH |
| CHECKED | AJB |
| DRAWN | baliva |
| CHECKED | ATH AJB |

MAY 12, 2008
EXAMINED *Carl Perry*
PASSED *Ralph E. Anderson*

PD-2136-0D 8-29-07