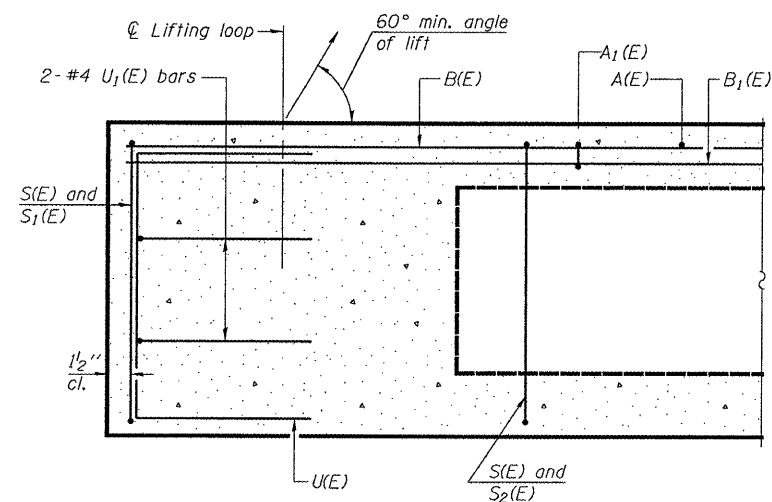


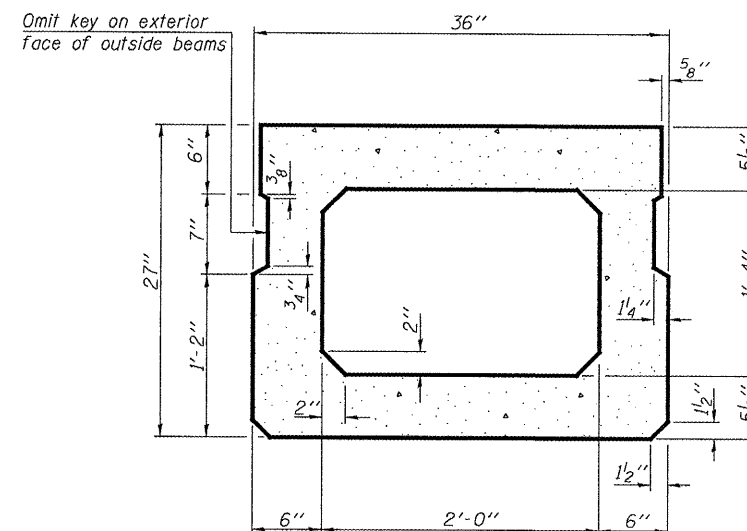
STATE OF ILLINOIS
DEPARTMENT OF TRANSPORTATION

ROUTE NO.	SECTION	COUNTY	TOTAL SHEETS	SHEET NO.	SHEET NO. 2 5 SHEETS
FA 698	(10)BR1	BUREAU	14	11	
FED. ROAD DIST. NO. 7	ILLINOIS	FED. AID PROJECT			

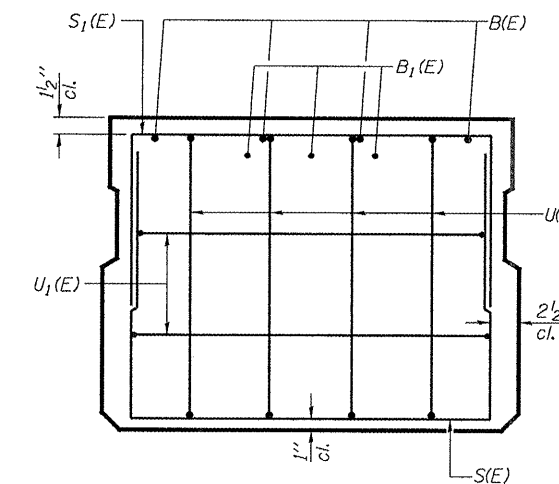
Contract Number: 66829



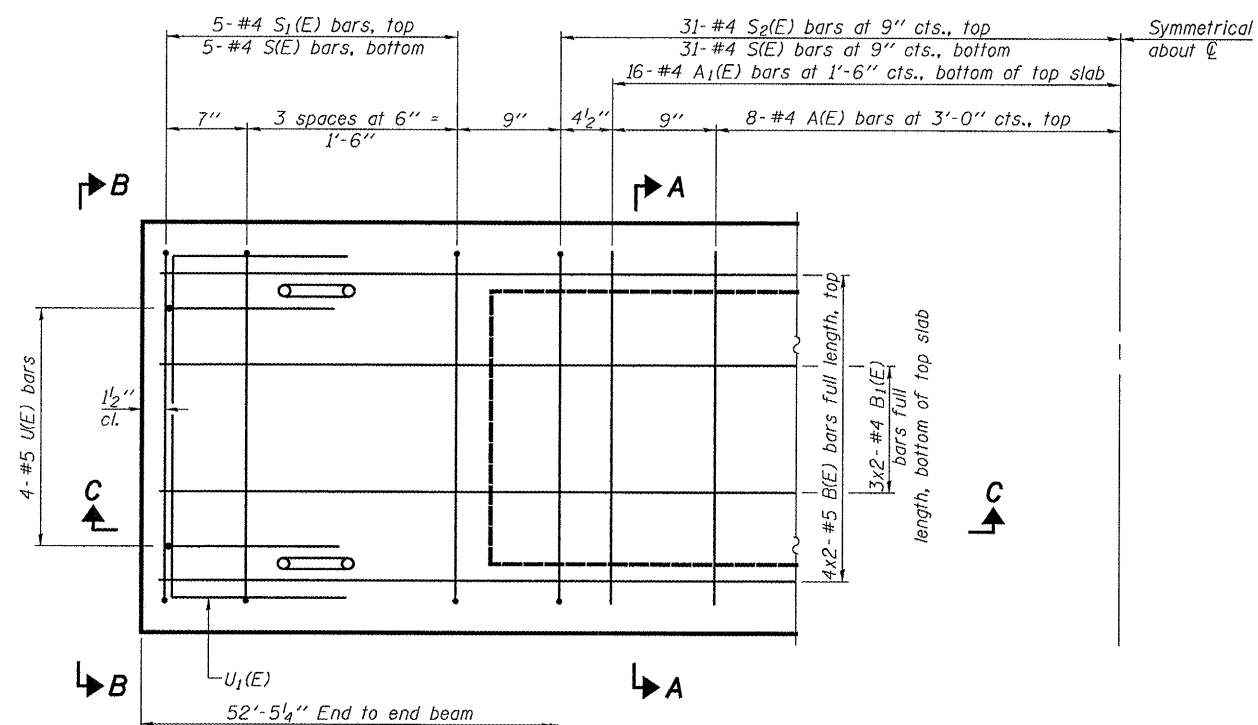
SECTION C-C



SECTION A-A
(Showing dimensions)

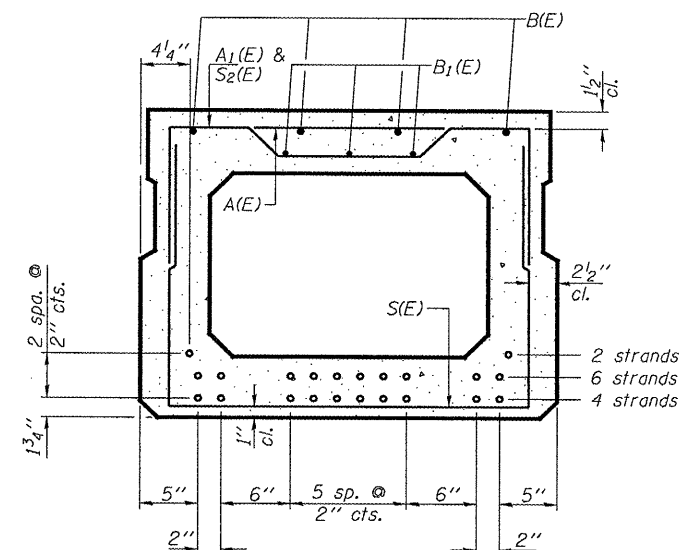


VIEW B-B



PLAN VIEW

Note: Spacing of S(E) and S2(E) bars may be adjusted up to 4" in the immediate area of the transverse tie diaphragms to miss the block outs for the transverse ties.



SECTION A-A

(Showing reinforcement and permissible strand locations)
Note: Place the number of strands specified in each row symmetrically about the centerline of beam in the permissible strand locations shown.

BAR LIST
ONE BEAM ONLY
(For information only)

Bar	No.	Size	Length	Shape
A(E)	16	#4	2'-7"	—
A1(E)	32	#4	2'-10"	—
B(E)	8	#5	27'-3"	—
B1(E)	6	#4	27'-0"	—
S(E)	72	#4	6'-5"	U
S1(E)	10	#4	5'-11"	U
S2(E)	62	#4	6'-2"	U
U(E)	8	#5	4'-6"	U
U1(E)	4	#4	5'-0"	U

Bars indicated thus 4 x 2-#5 etc. indicates 4 line of bars with 2 lengths per line.

Note: See sheet 3 of 5 for additional details and Bill of Material.

DESIGNED	ATH
CHECKED	AJB
DRAWN	Steffen
CHECKED	ATH AJB

MAY 6, 2008
EXAMINED *A. Carl Koenig*
ENGINEER OF STRUCTURAL SERVICES
PASSED *Ralph E. Anderson*
ENGINEER OF BRIDGES AND STRUCTURES

BEAM DETAILS
F.A. RT. 698 OVER
PIKE CREEK
BUREAU COUNTY
SN 006-0104