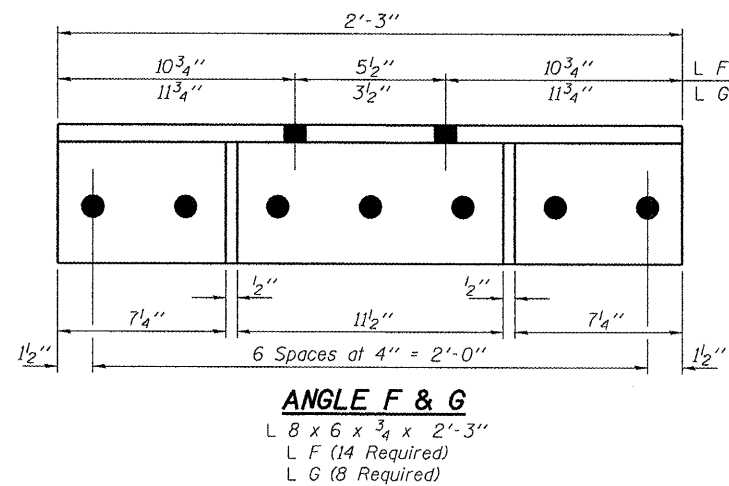
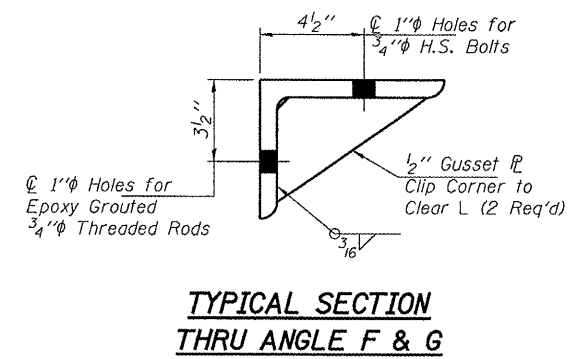
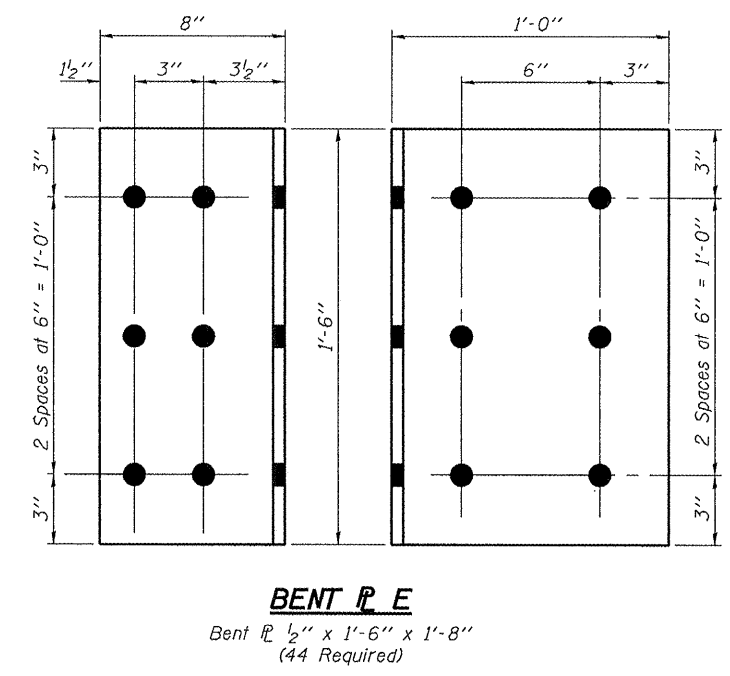
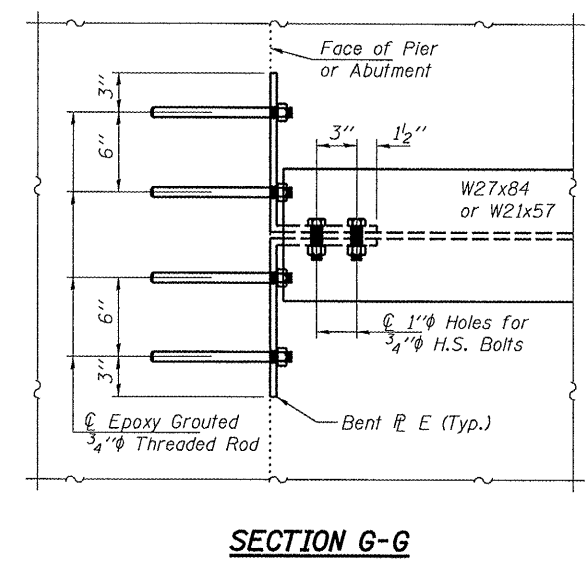
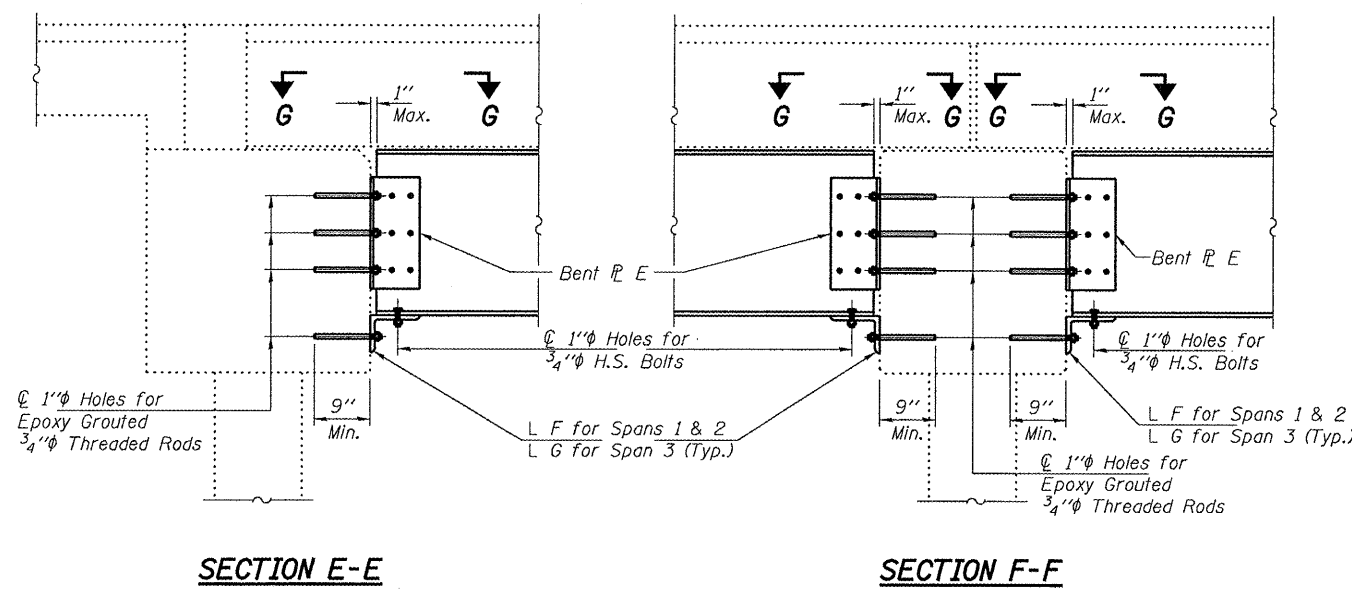
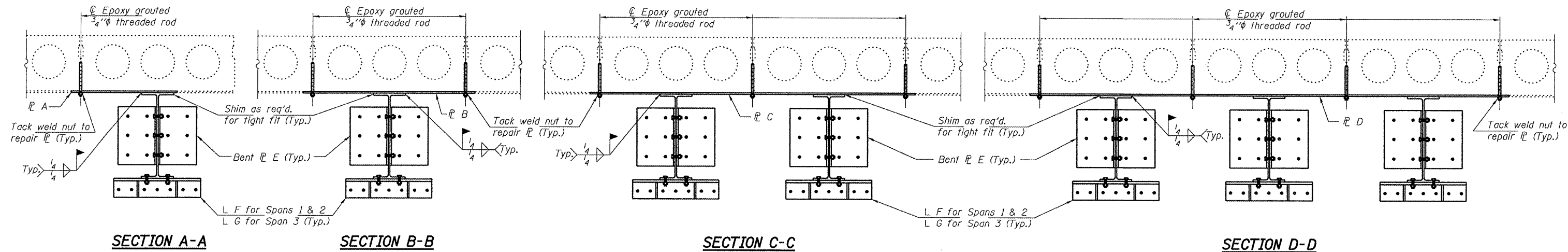


STATE OF ILLINOIS
DEPARTMENT OF TRANSPORTATION

ROUTE NO.	SECTION	COUNTY	TOTAL SHEETS	SHEET NO.
FA 587		BUREAU	6	6
FED. ROAD DIST. NO. 7	ILLINOIS	FED. AID PROJECT		

SHEET NO. 2
2 SHEETS

Contract Number: 66830



DESIGNED	VHV
CHECKED	DAB
DRAWN	Steffen
CHECKED	VHV DAB

APRIL 15, 2008
EXAMINED *Carl Provey*
ENGINEER OF STRUCTURAL SERVICES
PASSED *Ralph E. Anderson*
ENGINEER OF BRIDGES AND STRUCTURES

REPAIR DETAILS
F.A. RT. 587 OVER
PIKE CREEK
BUREAU COUNTY
SN 006-0147