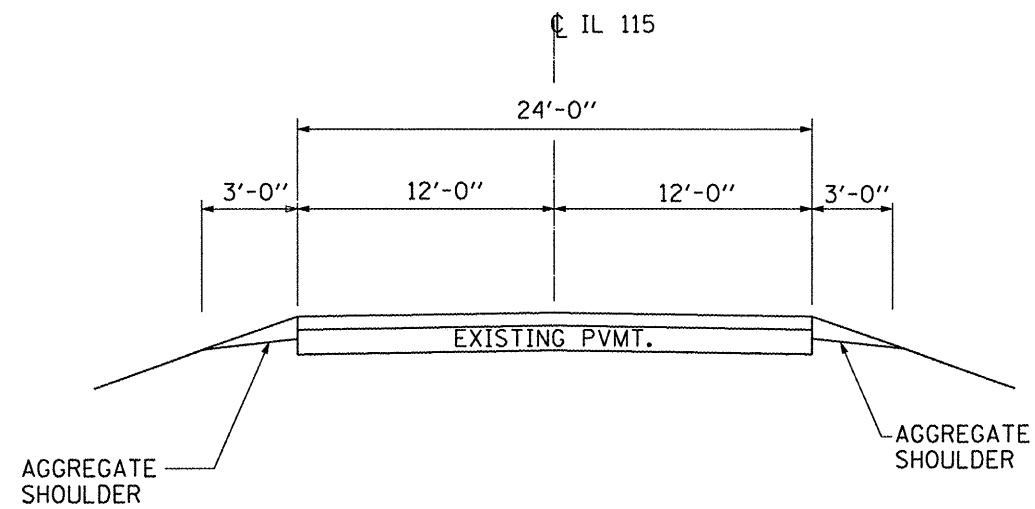


TYPICAL SECTION - I-57



TYPICAL SECTION - IL 115

FILE NAME =	USER NAME = woodshankr1	DESIGNED - RON WOODSHANK	REVISED -
c:\projects\bridgepaint.08\346-0113 & 027-0071.dgn		DRAWN - RON WOODSHANK	REVISED -
		CHECKED -	REVISED -
		DATE -	REVISED -

**STATE OF ILLINOIS
DEPARTMENT OF TRANSPORTATION**

TYPICAL SECTION

SCALE: SHEET NO. 1 OF 1 SHEETS

FAI/FAF RTE.	SECTION	COUNTY	TOTAL SHEETS	SHEET NO.
57/796	(146-3HBR)BP & (106BR)BP	KANKAKEE/FORD	14	4
FED. ROAD DIST. NO.			ILLINOIS	
			CONTRACT NO. 66846	