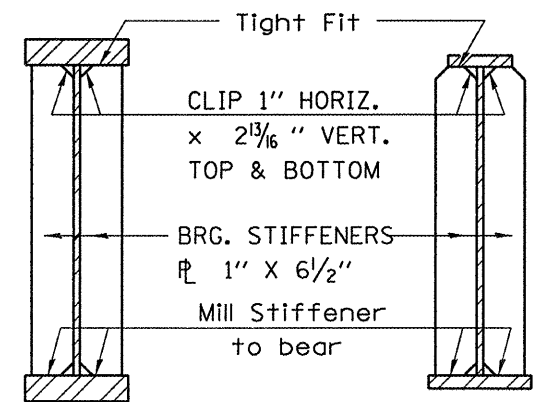
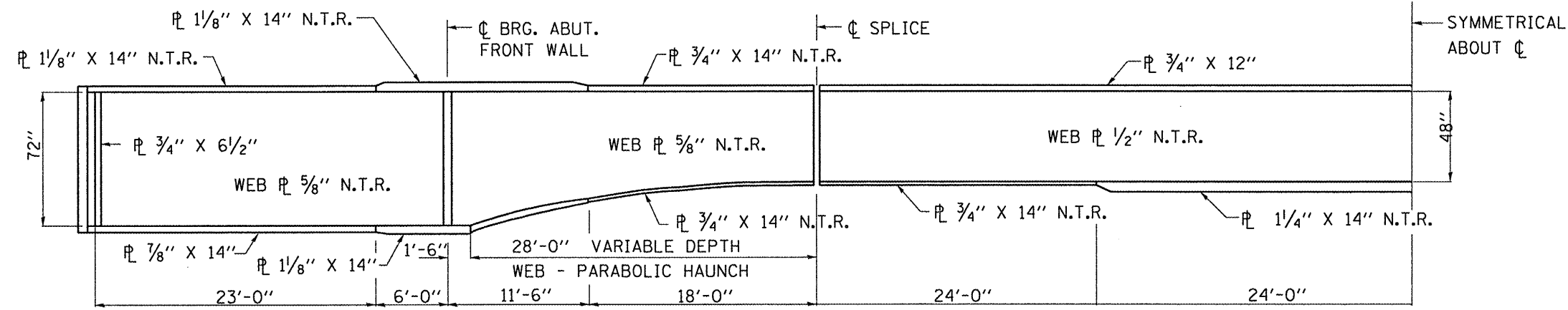


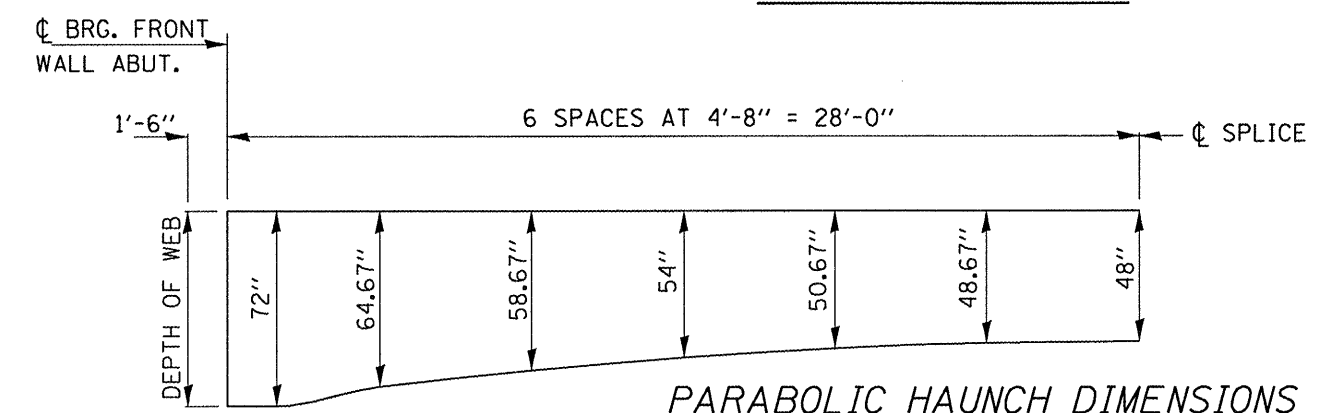
FRAMING PLAN



SECTION



GIRDER ELEVATION



PARABOLIC HAUNCH DIMENSIONS

THIS SHEET FOR INFORMATION ONLY

FILE NAME =	USER NAME = woodshankr1	DESIGNED - RON WOODSHANK	REVISED -	STATE OF ILLINOIS DEPARTMENT OF TRANSPORTATION	EXISTING STRUCTURE PLANS BRIDGE LOCATION 1 - SN 046-0113	FBI/FAP RTE.	SECTION	COUNTY	TOTAL SHEETS	SHEET NO.
os:\projects\bridgepaint.08\046-0113 & 027-0071.dgn	PLOT SCALE = 206.8058 ' / IN.	DRAWN - RON WOODSHANK	REVISED -			57/196	(46-3HBR)BP & (106BR)BP	KANKAKEE/FORD	14	10
PLOT DATE = Apr 28, 2008 - 02:28:38 PM	DATE -	CHECKED -	REVISED -			CONTRACT NO. 66846				
						FED. ROAD DIST. NO.	ILLINOIS			