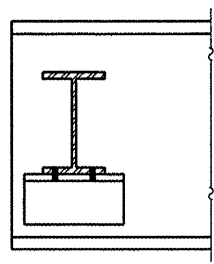
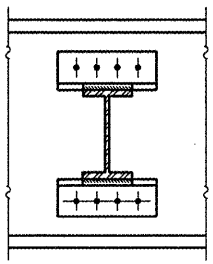
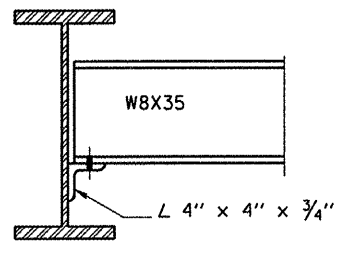


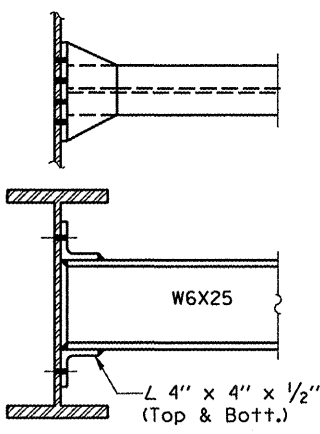
PLAN
ALL BEAMS W21X101



DIAPHRAGM D



DIAPHRAGM DI



THIS SHEET FOR INFORMATION ONLY

FILE NAME =	USER NAME = woodshankr1	DESIGNED - RON WOODSHANK	REVISED -	STATE OF ILLINOIS DEPARTMENT OF TRANSPORTATION	EXISTING STRUCTURE PLANS BRIDGE LOCATION 2 - SN 027-0071	FBI/FAP RTE.	SECTION	COUNTY	TOTAL SHEETS	SHEET NO.
c:\projects\bridgepaint_08\016-0113 & 027-0071.dgn	DRAWN - RON WOODSHANK	REVISED -	57/796			(46-3HBR/BP & 106BR/BP)	KANKAKEE/FORD	14	14	
PLOT SCALE = 206.8058' / IN.	CHECKED -	REVISED -	CONTRACT NO. 66846							
PLOT DATE = Apr 28, 2008 - 02:28:51 PM	DATE -	REVISED -	FED. ROAD DIST. NO.			ILLINOIS				