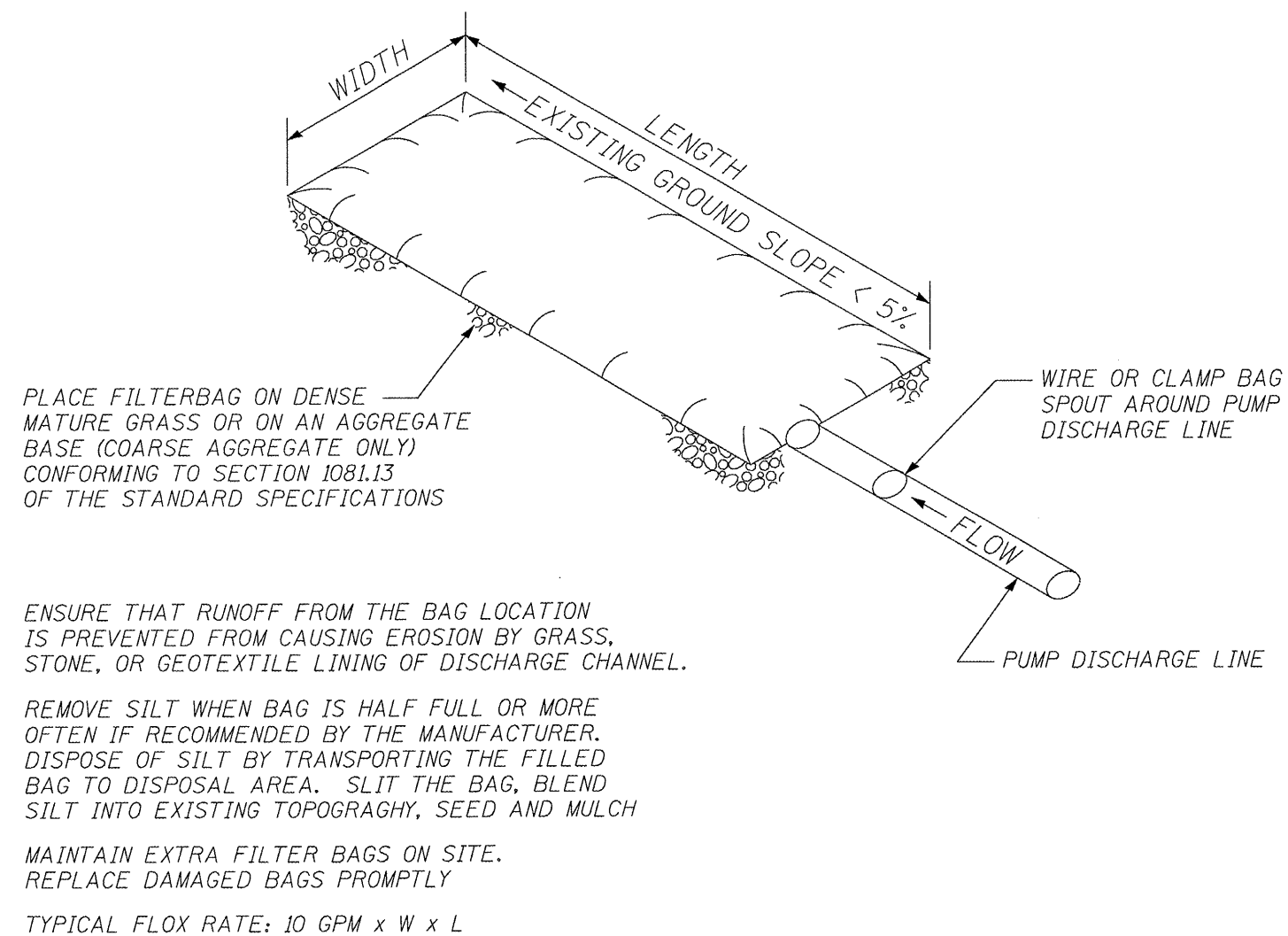


ROUTE NO.	SECTION	COUNTY	TOTAL SHEETS	SHEET NO.
VAR	*	VAR	66	66
FED. ROAD DIST. NO. 4		ILLINOIS	FED. AID PROJECT	

**\* D4 SCOUR MITIGATION 2002**



**FIGURE S1. SEDIMENT FILTER BAG**

NOTE: DEWATERING SYSTEM DETAILS SHALL BE USED IN CONJUNCTION WITH THE PROJECT SPECIAL PROVISIONS.

ILLINOIS DEPARTMENT OF TRANSPORTATION  
 DEWATERING SYSTEM DETAILS  
 SECTION D4 SCOUR  
 MITIGATION 2006  
 VARIOUS ROUTES  
 VARIOUS COUNTIES