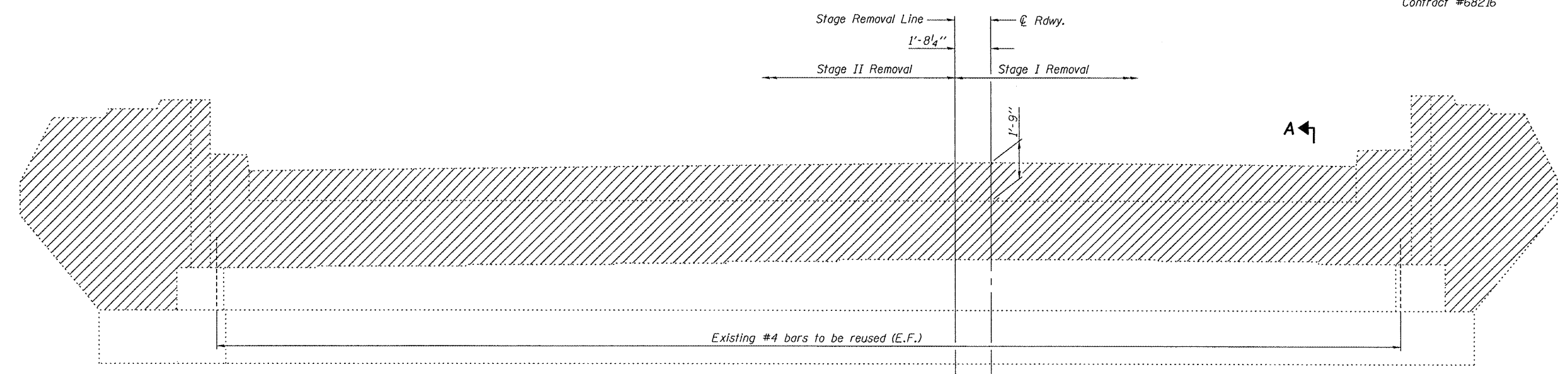


STATE OF ILLINOIS
DEPARTMENT OF TRANSPORTATION

ROUTE NO. F.A.P. 313	SECTION (21-HB-1)I	COUNTY KNOX	SHEET NO. 55	SHEET NO. 44	SHEET NO. 27 35 SHEETS
FED. ROAD DIST. NO. 7		ILLINOIS	FED. AID PROJECT-		

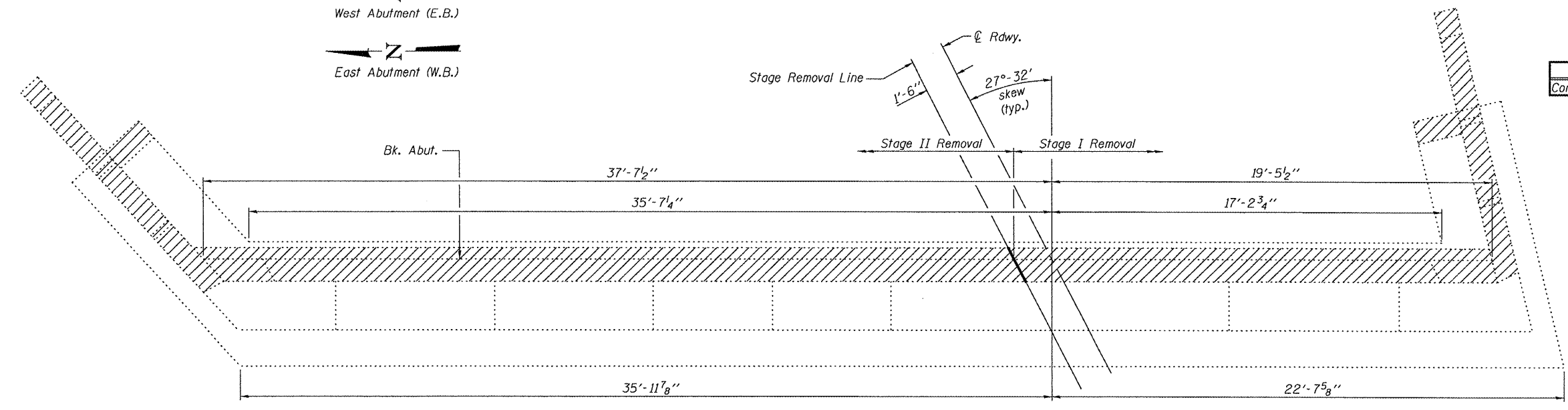
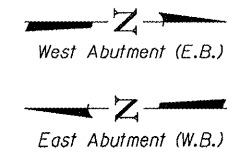
Contract #68216



ELEVATION

Looking West at West Abutment (E.B.)
Looking East at East Abument (W.B.)

Note: See Sec. A-A on sheet 29 of 35.



PLAN

**TWO ABUTMENTS
BILL OF MATERIAL**

Item	Unit	Total
Concrete Removal	Cu. Yd.	36.7

DESIGNED	FT
CHECKED	DPN
DRAWN	Gregory D. Farmer
CHECKED	FT/DPN

April 28 2008
EXAMINED *Thomas J. Demagallo*
PASSED *Ralph E. Anderson*
ENGINEER OF BRIDGES AND STRUCTURES

CONCRETE REMOVAL WEST ABUTMENT (E.B.) AND EAST ABUMENT (W.B.)
F.A.P. ROUTE 313 - SECTION (21-HB-1)I
KNOX COUNTY
STA. 495+98.72
STRUCTURE NO. 048-0021 (W.B.)
STRUCTURE NO. 048-0022 (E.B.)