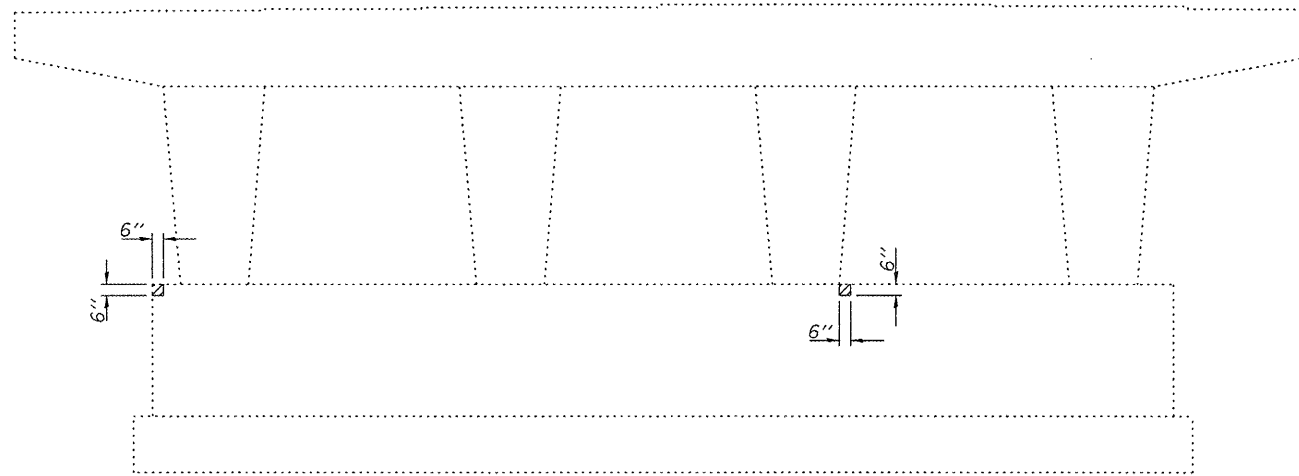


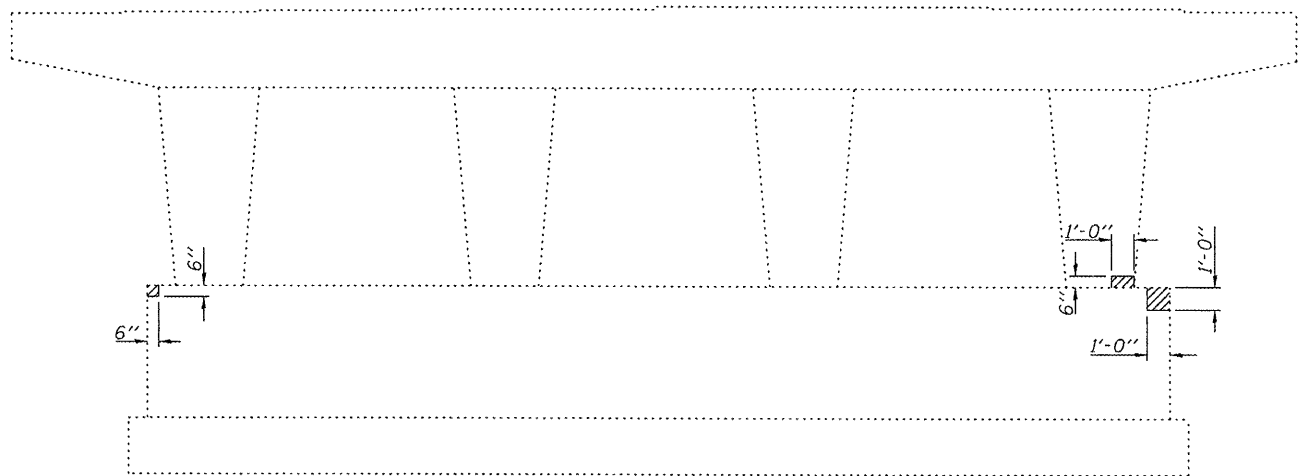
STATE OF ILLINOIS
DEPARTMENT OF TRANSPORTATION

ROUTE NO.	SECTION	COUNTY	SHEET	SHEET	SHEET NO.
F.A.P. 313	(21-HB-1)I	KNOX	55	47	30
FED. ROAD DIST. NO. 7		ILLINOIS	FED. AID PROJECT-		

Contract #68216

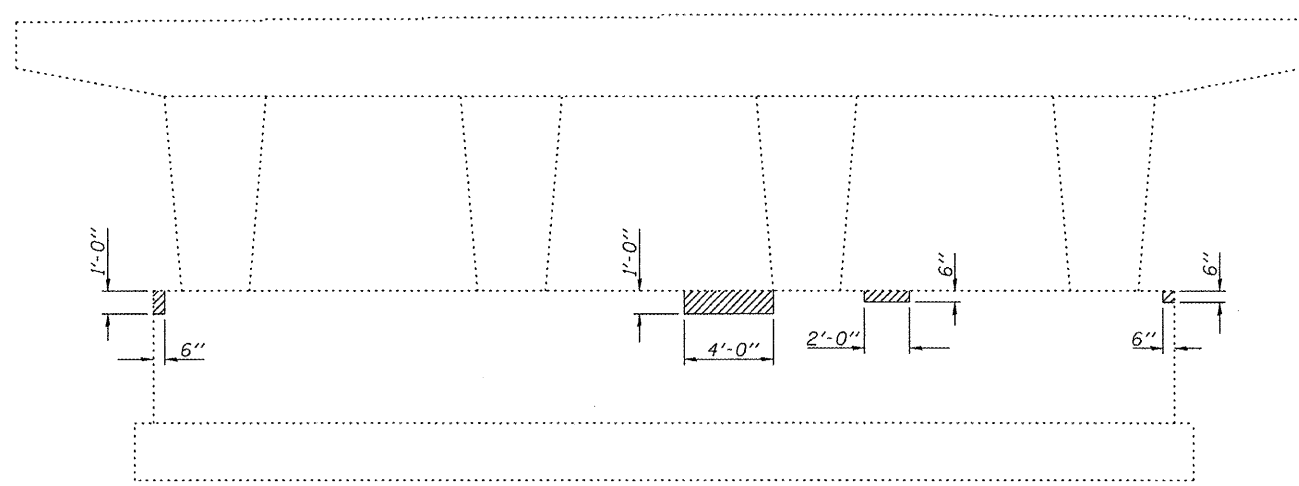


ELEVATION PIER 2
(Looking West)

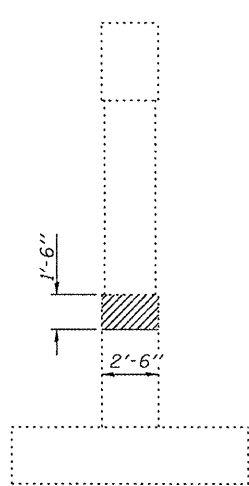


ELEVATION PIER 3
(Looking West)

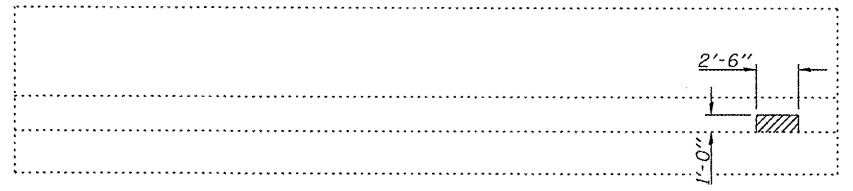
→ A



ELEVATION PIER 2
(Looking East)



VIEW A-A



ELEVATION EAST ABUT.
(Looking East)

→ A

BILL OF MATERIAL

Item	Unit	Total
Structural Repair of Concrete (Depth equal to or less than 5')	Sq. Ft.	14
Concrete Sealer	Sq. Ft.	4224

Note:
Concrete Sealer shall be applied to the exposed area of existing concrete surface above existing ground line or slopewalls.
Hatched area indicates Structural Repair of Concrete (Depth equal to or less than 5').

DESIGNED	FT
CHECKED	DPN
DRAWN	Gregory D. Farmer
CHECKED	FT/DPN

April 28 2008
EXAMINED *Thomas J. Demagalli*
PASSED *Ralph E. Anderson*
ENGINEER OF BRIDGES AND STRUCTURES

CONCRETE REPAIR (E.B.)
F.A.P. ROUTE 313 - SECTION (21-HB-1)I
KNOX COUNTY
STA. 495+98.72
STRUCTURE NO. 048-0021 (W.B.)
STRUCTURE NO. 048-0022 (E.B.)