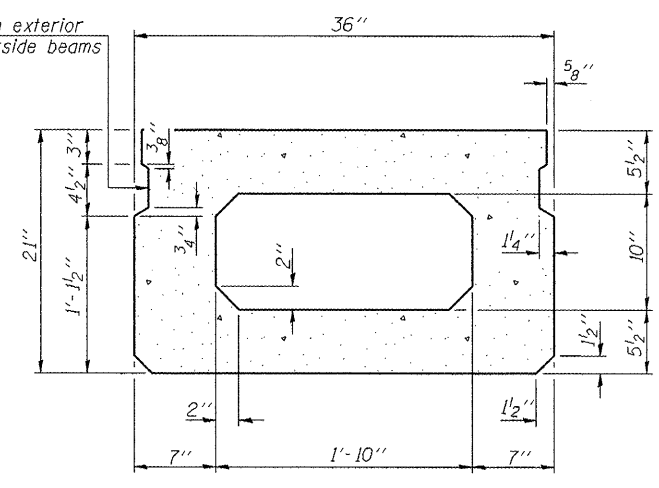
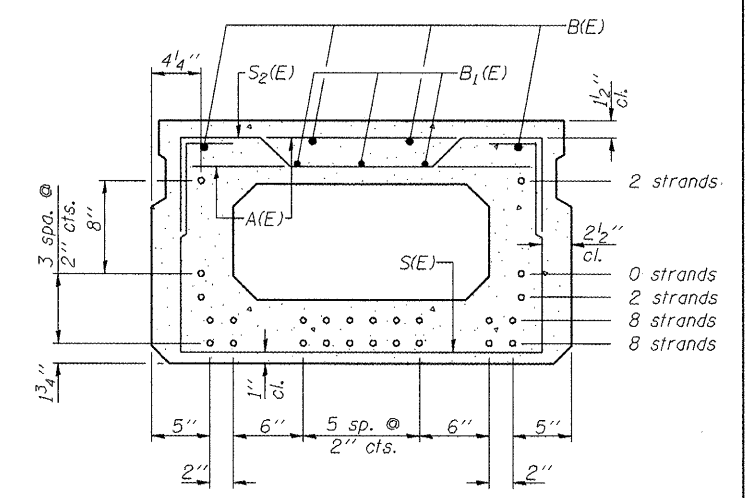


SECTION C-C

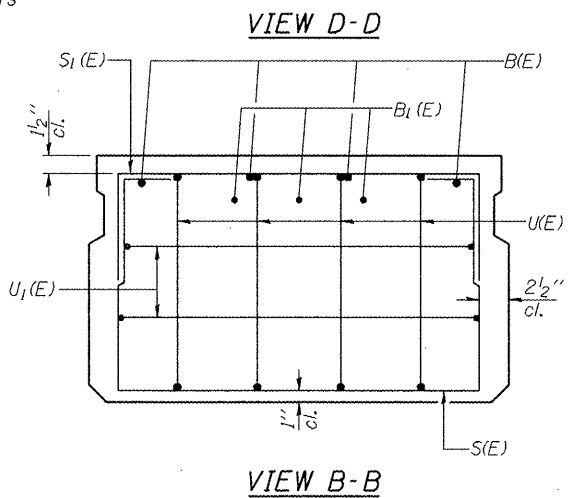


SECTION A-A
(Showing dimensions)



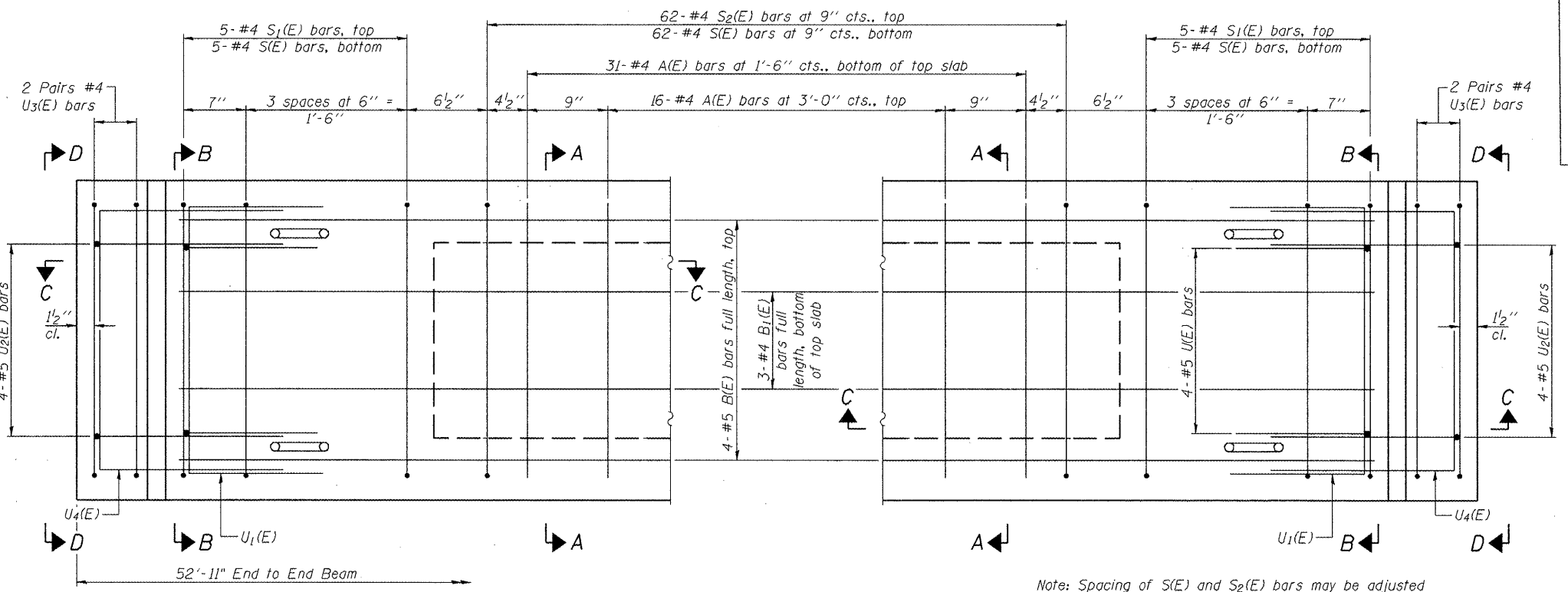
SECTION A-A
(Showing reinforcement and permissible strand locations)

Note: Place the number of strands specified in each row symmetrically about the centerline of beam in the permissible strand locations shown.



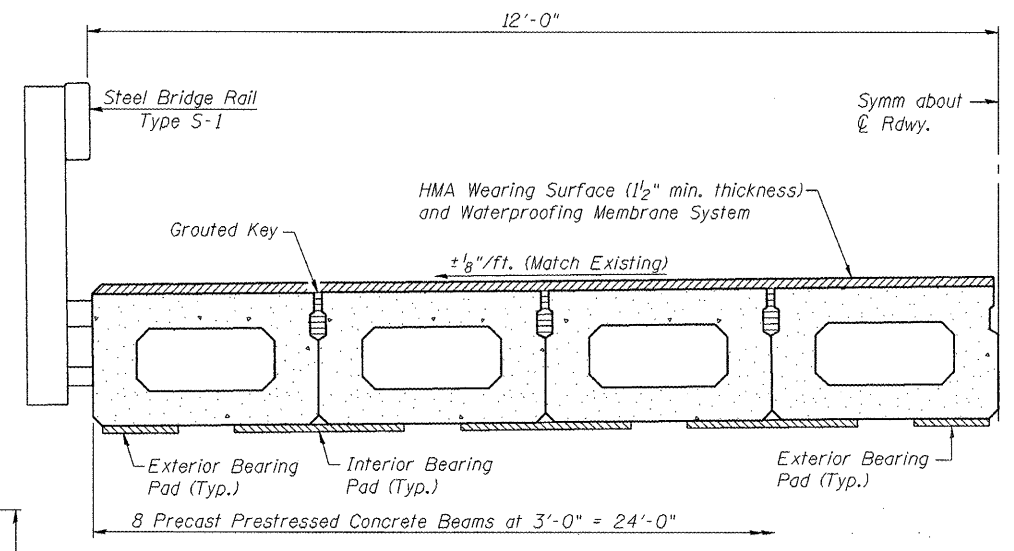
VIEW D-D

VIEW B-B



PLAN VIEW

Note: Spacing of S(E) and S2(E) bars may be adjusted up to 4 inch in the immediate area of the transverse tie diaphragms to miss the block outs for the transverse ties.



HALF CROSS SECTION

BAR LIST
ONE BEAM ONLY
(For information only)

Bar	No.	Size	Length	Shape
A(E)	48	#4	2'-7"	—
B(E)	4	#5	50'-11"	—
B1(E)	3	#4	50'-11"	—
C(E)	10	#5	2'-7"	┌
E(E)	6	#5	2'-1"	┌
S(E)	72	#4	6'-5"	┌
S1(E)	10	#4	5'-7"	┌
S2(E)	62	#4	5'-10"	┌
U(E)	8	#5	4'-0"	┌
U1(E)	4	#4	5'-0"	┌
U2(E)	8	#5	5'-1"	┌
U3(E)	8	#4	6'-0"	┌
U4(E)	2	#4	6'-8"	┌

Note: See sheet 6 of 20 for additional details and Bill of Material.

21 x 36 P.P.C. DECK BEAM
SPAN 6
F.A.S. ROUTE 744 (OLD IL 121)
OVER MACKINAW RIVER
SECTION 108B-I-2
TAZEWELL COUNTY
STATION 667+55.00
STRUCTURE NO. 090-0087