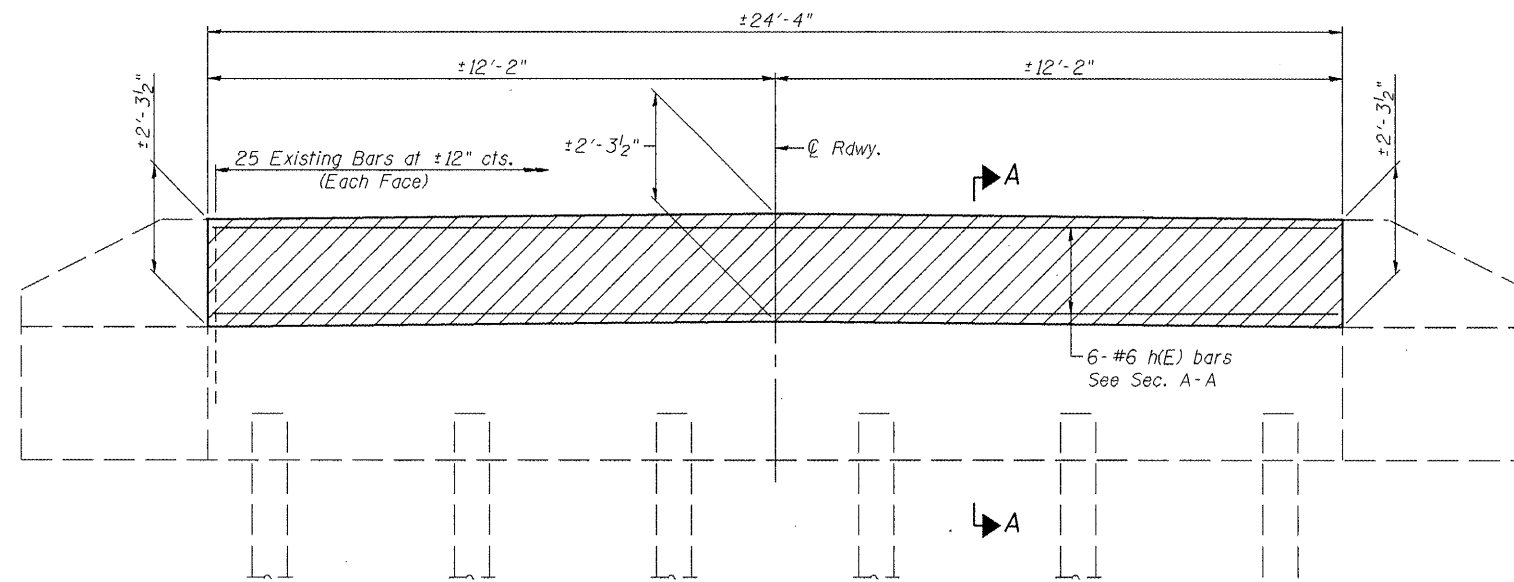


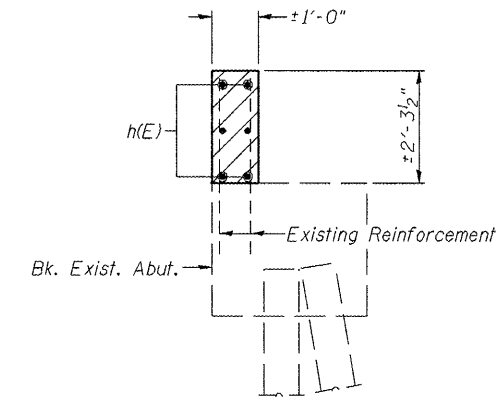
ROUTE NO.	SECTION	COUNTY	SHEET NO.	SHEET
F.A.P. 744	108B-1-2	TAZEWELL	29	22
FED. ROAD DIST. NO. 7	ILLINOIS	FED. AID PROJECT		

SHEET NO. 15  
20 SHEETS

Contract # 68485

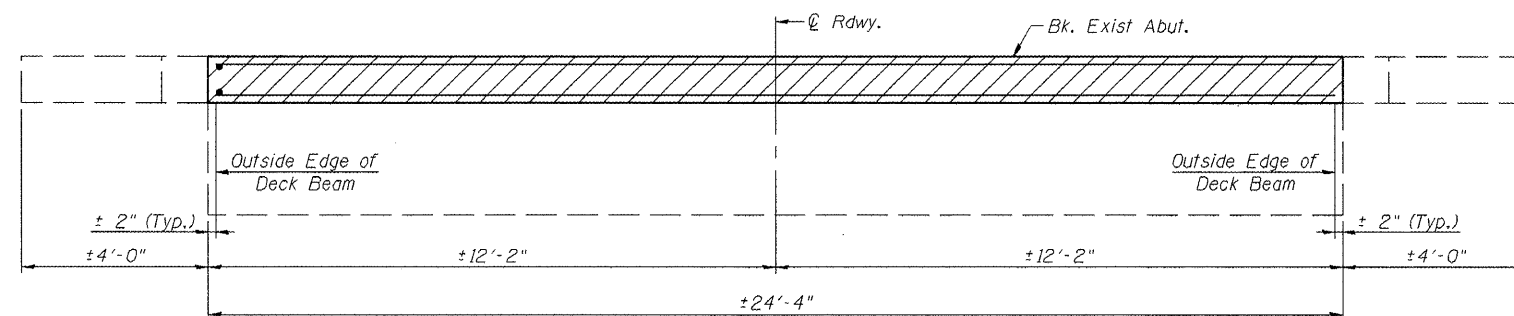


**ELEVATION**  
(Looking South)



**Section A-A**

Note: Hatched area to be poured after beams are in place.



**PLAN**

**BILL OF MATERIAL**

Bar	No.	Size	Length	Shape
h(E)	6	#6	24'-0"	—
Reinforcement Bars, Epoxy Coated			Pound	220
Concrete Removal			Cu. Yd.	2.1

**SOUTH ABUTMENT**  
F.A.S. ROUTE 744 (OLD IL 121)  
OVER MACKINAW RIVER  
SECTION 108B-1-2  
TAZEWELL COUNTY  
STATION 667+55.00  
STRUCTURE NO. 090-0087