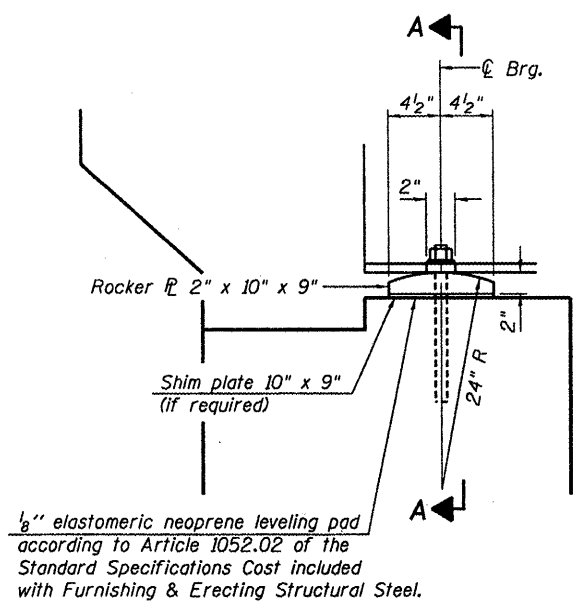


STATE OF ILLINOIS
DEPARTMENT OF TRANSPORTATION

ROUTE NO.	SECTION	COUNTY	TOTAL SHEETS	SHEET NO.	SHEET NO.
FAS 1360	65-BR	WOODFORD	39	23	19 SHEETS
FED. ROAD DIST. NO. 7	ILLINOIS	FED. AID PROJECT			

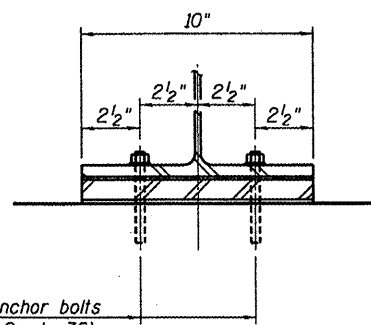
Contract # 68530



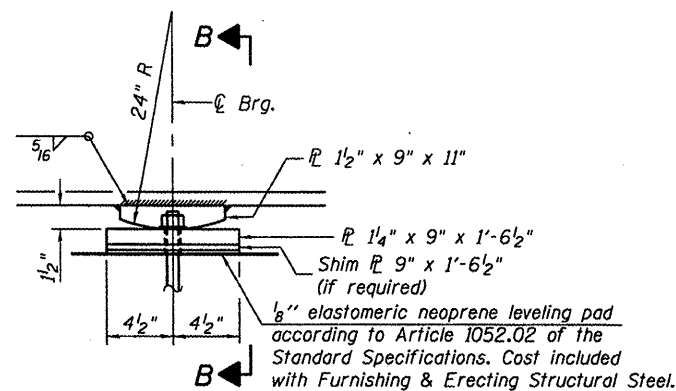
ELEVATION AT ABUTMENT

FIXED BEARING
12 Required

1" ϕ x 12" anchor bolts
(ASTM F 1554 Grade 36)
with 2 1/4" x 2 1/4" x 5/16" ϕ
washer under nut. 1 3/8"
x 2" slotted hole in flange.
1/2" ϕ holes in bearing plate.

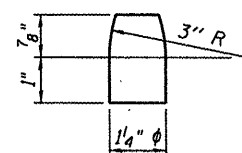


SECTION A-A

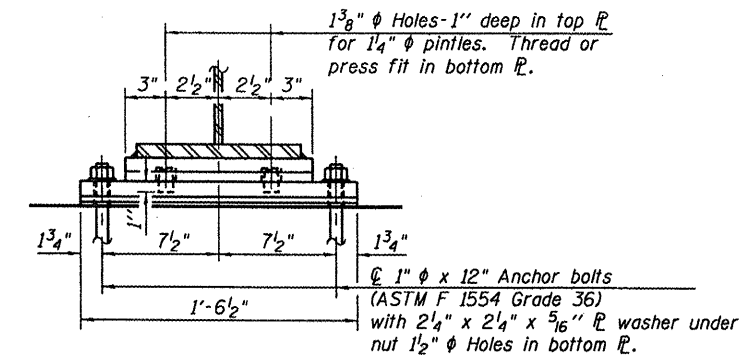


ELEVATION

FIXED BEARINGS AT PIERS
12 Required



PINTLE



SECTION B-B

Notes:

Anchor bolts shall be ASTM F 1554 all-thread (or an Engineer-approved alternate material) of the grade(s) and diameter(s) specified. ASTM A307 Grade C anchor bolts may be used in lieu of ASTM F1554 Grade 36 (Fy=36ksi). The corresponding specified grade of AASHTO M314 anchor bolts may be used in lieu of ASTM F1554.

All bearing plates and pintles shall be AASHTO M 270, Grade 50W.

Anchor bolts at fixed bearings to be installed in holes drilled after the supported member is in place.

Drilled and set anchor bolts shall be installed according to Article 521.06 of the Standard Specifications.

Two 1/8 in. adjusting shims shall be provided for each bearing in addition to all other plates or shims and placed as shown on bearing details.

See sheets 11 to 14 of 19 for anchor bolt installation details.

DESIGNED	CTW
CHECKED	CDL
DRAWN	DP
CHECKED	CTW

BEARINGS DETAILS
F.A.S. ROUTE 1360 SEC. 65-BR
IL ROUTE 251 OVER PANTHER CREEK
WOODFORD COUNTY
STATION 1116+87.00
STRUCTURE NO. 102-0081

EFK Moen, LLC
Civil Engineering Design