

STATE OF ILLINOIS
DEPARTMENT OF TRANSPORTATION

ROUTE NO.	SECTION	COUNTY	TOTAL SHEETS	SHEET
FAS 1360	65-BR	WOODFORD	39	30
FED. ROAD DIST. NO. 7		ILLINOIS	FED. AID PROJECT	

SHEET NO. 17
19 SHEETS

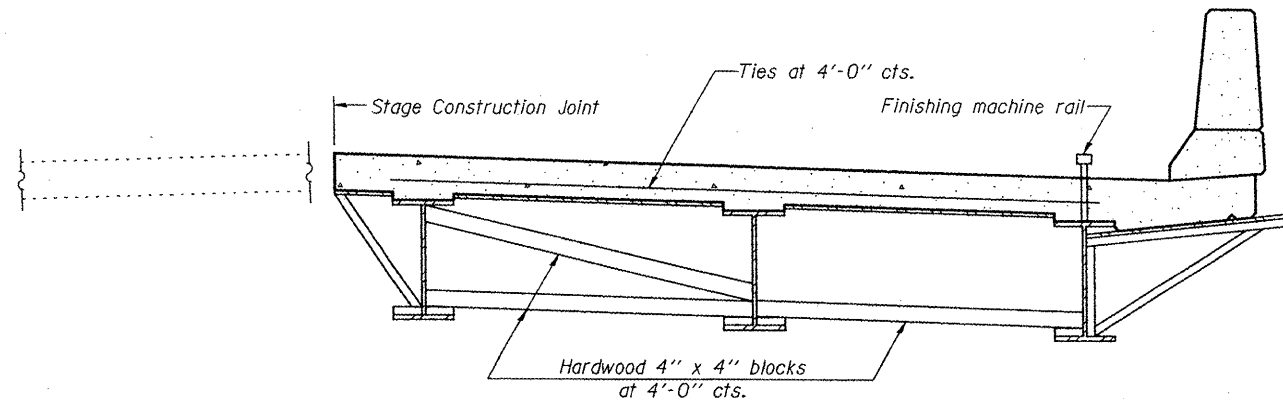
Contract # 68530

When cantilever forming brackets are used, the work shall be done according to Article 503.06(b) of the Standard Specifications, except as modified below and in the details shown on this sheet.

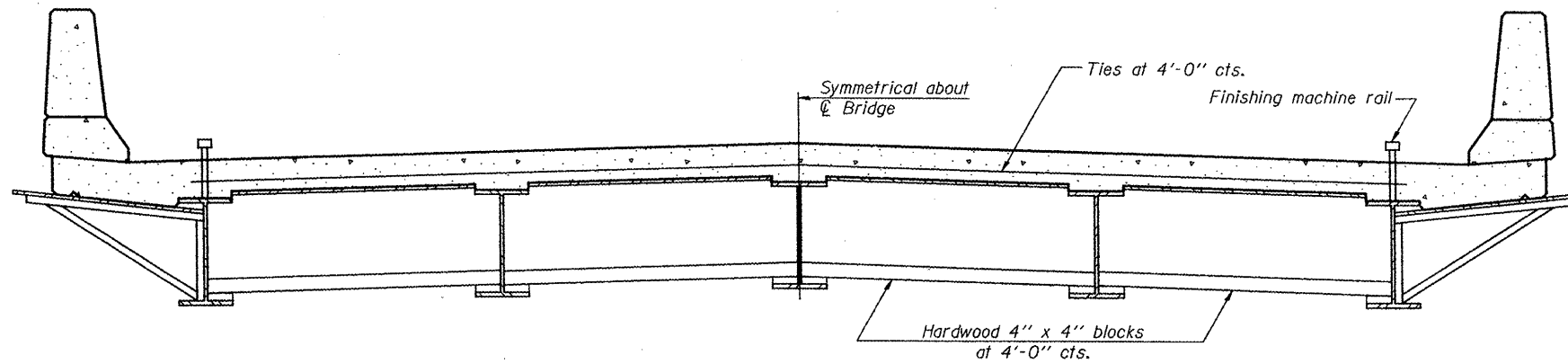
The finishing machine rails shall be placed on the top flange of the exterior beams.

The beams or girders, supporting cantilever forming brackets, shall be tied together at 4 foot intervals.

For Standard construction, or Stage Construction the Hardwood bracing materials shall be placed as shown between webs of beams in each bay.



FORM BRACES FOR
STAGE CONSTRUCTION



FORM BRACES FOR
STANDARD CONSTRUCTION

DESIGNED	CTW
CHECKED	CDL
DRAWN	DP
CHECKED	CTW

SB-1

11-1-06

CANTILEVER FORMING BRACKETS
FOR SUPERSTRUCTURES WITH
W27 BEAMS AND SMALLER
F.A.S. ROUTE 1360 SEC. 65-BR
IL ROUTE 251 OVER PANTHER CREEK
WOODFORD COUNTY
STATION 1116+87.00
STRUCTURE NO. 102-0081

EFK Moen, LLC
Civil Engineering Design