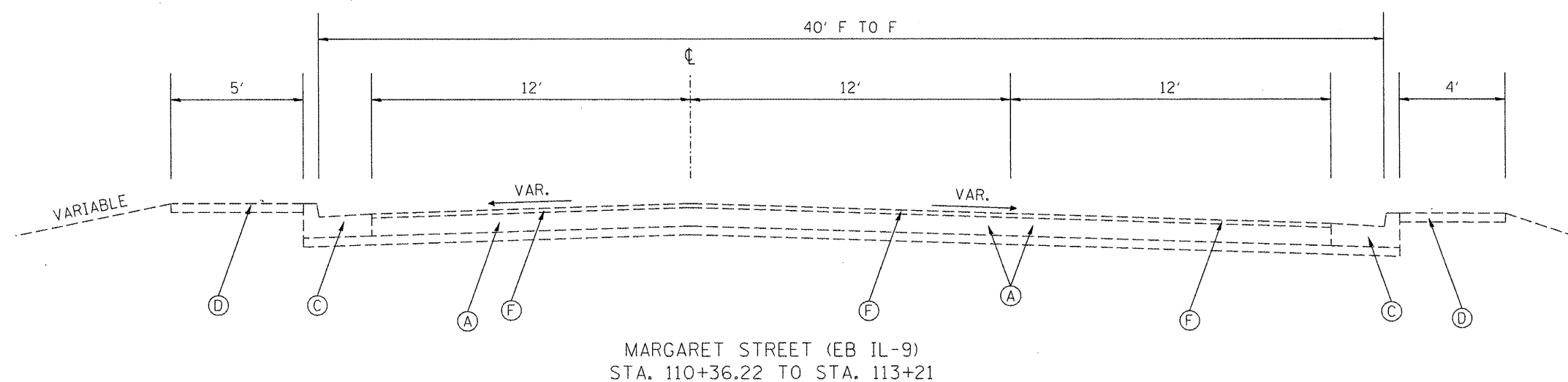
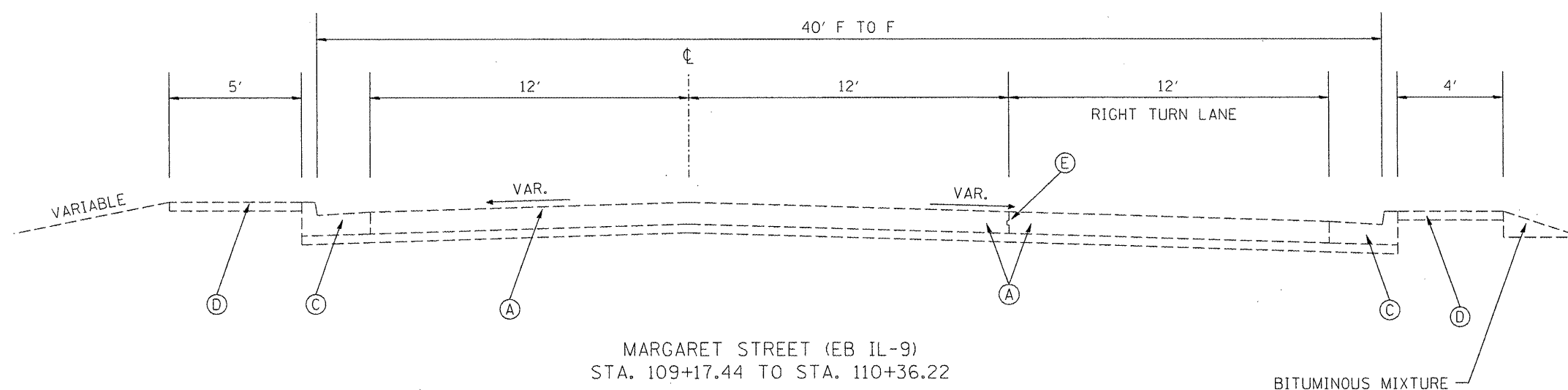
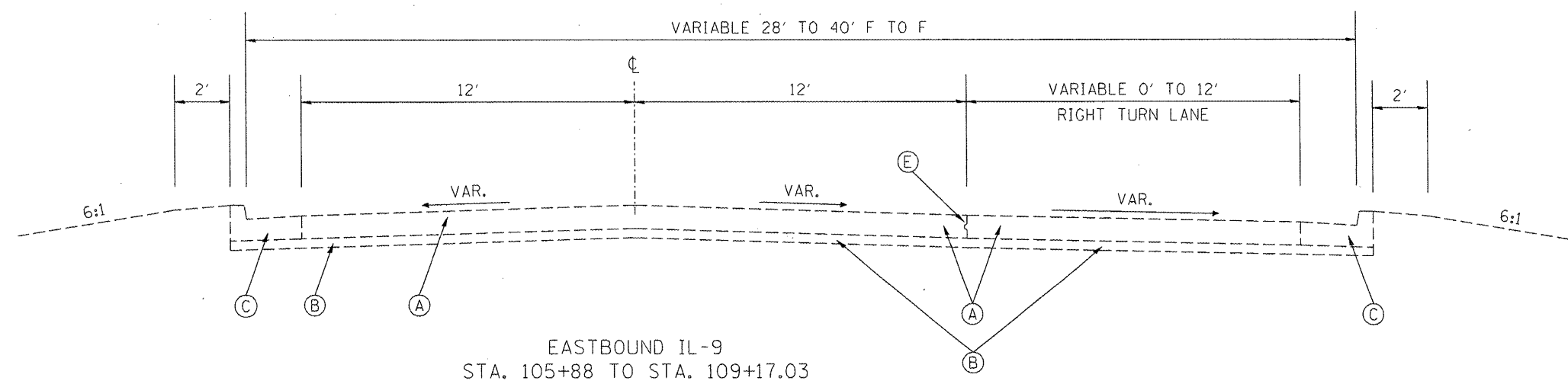


F.A.P. RTE.	SECTION	COUNTY	TOTAL SHEETS	SHEET NO.
693	*	TAZEWELL	82	12
STA.	TO STA.			
FED. ROAD DIST. NO.	ILLINOIS	FED. AID PROJECT		

•13R-1:(9)TS:(12B)L,1-1



LEGEND - PROPOSED

- ① PCC PAVEMENT 10" (JOINTED)
- ② HMA BINDER COURSE, IL-19.0, N50 6"
- ③ COMBINATION CONC. CURB & GUTTER, TYPE B-6.24
- ④ PCC SIDEWALK 4"
- ⑤ HMA SURFACE REMOVAL 2"
- ⑥ HMA LEVELING BINDER 3/4"
- ⑦ HMA SURFACE COURSE 1 1/2"

LEGEND - EXISTING

- Ⓐ 10" PCC PAVEMENT
- Ⓑ 6" STABILIZED SUB-BASE
- Ⓒ CCC & G, TYPE B-6.24
- Ⓓ 4" PCC SIDEWALK
- Ⓔ KEY JOINT
- Ⓕ BITUMINOUS OVERLAY
- Ⓖ CCC&G, TYPE B-6.12

REVISIONS	
NAME	DATE

ILLINOIS DEPARTMENT OF TRANSPORTATION

EXISTING PAVEMENT
IL-9

SCALE: VERT.
DATE: HORIZ.

DRAWN BY
CHECKED BY