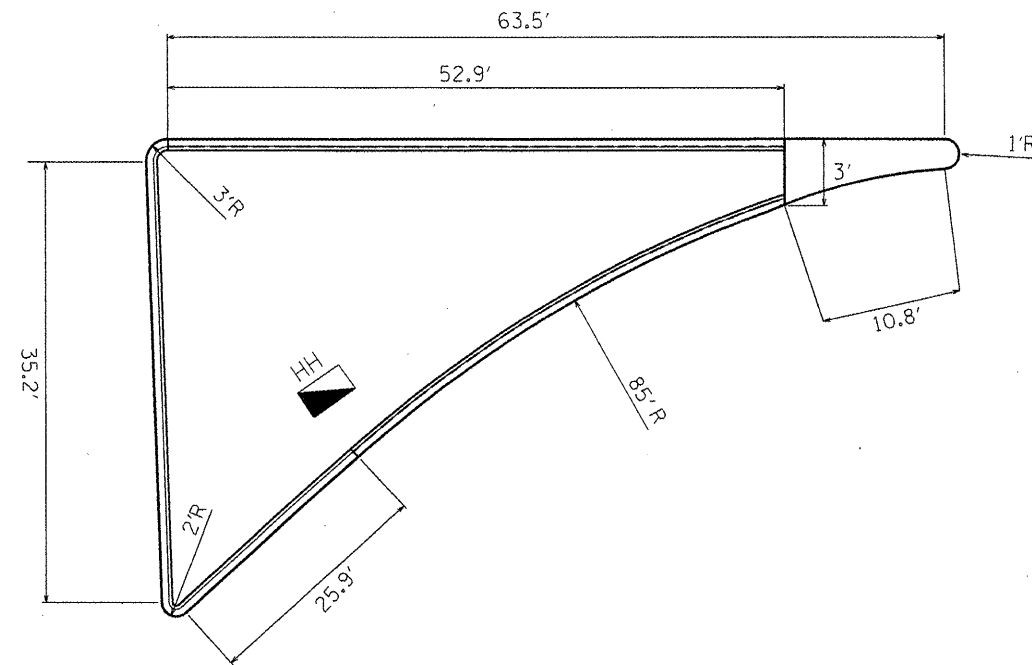


F.A.P. RTE.	SECTION	COUNTY	TOTAL SHEETS	SHEET NO.
693		TAZEWELL	82	36
IL 9				

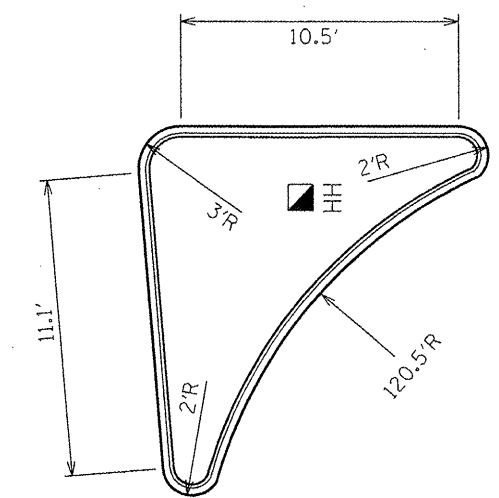
FED. ROAD DIST. NO. ILLINOIS FED. AID PROJECT

*13R-1(9)TS(12B)I,1-1

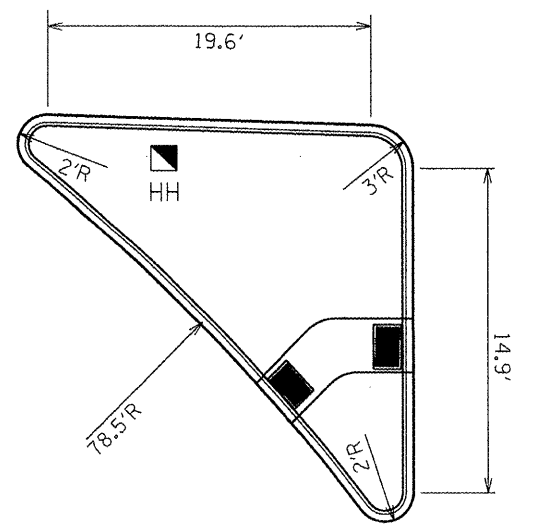
SW CORNER OF MARGARET & SECOND ST
RT. 8' STA. 12+58 TO STA. 13+39 (SECOND ST)



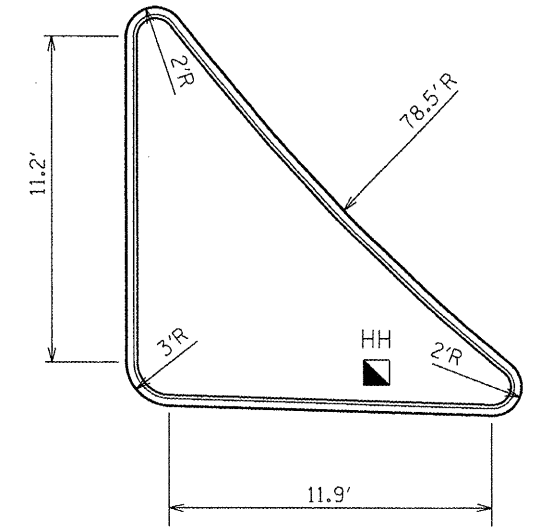
NE CORNER OF MARGARET & SECOND ST
LT. 16' STA. 12+12.5 TO STA. 12+34 (SECOND ST)



SE CORNER OF ANN ELIZA & SECOND ST
LT. 16' STA. 10+08.7 TO STA. 10+37.5 (SECOND ST)



NW CORNER OF ANN ELIZA & SECOND ST
RT. 8' STA. 9+60 TO STA. 9+84.5 (SECOND ST)



LEGEND

■ HANDHOLE

REVISIONS	
NAME	DATE

ILLINOIS DEPARTMENT OF TRANSPORTATION

PROPOSED ISLAND DETAIL

SCALE: VERT. DATE
HORIZ. DRAWN BY
CHECKED BY

PLOT DATE = 3/28/2008
FILE NAME = S:\ENVELOPES\STOP_SIGN\STOP_SIGN_NEW.Active Contract\68608\I, 9 Pak1 - plan\Ildg
USER NAME = bwood