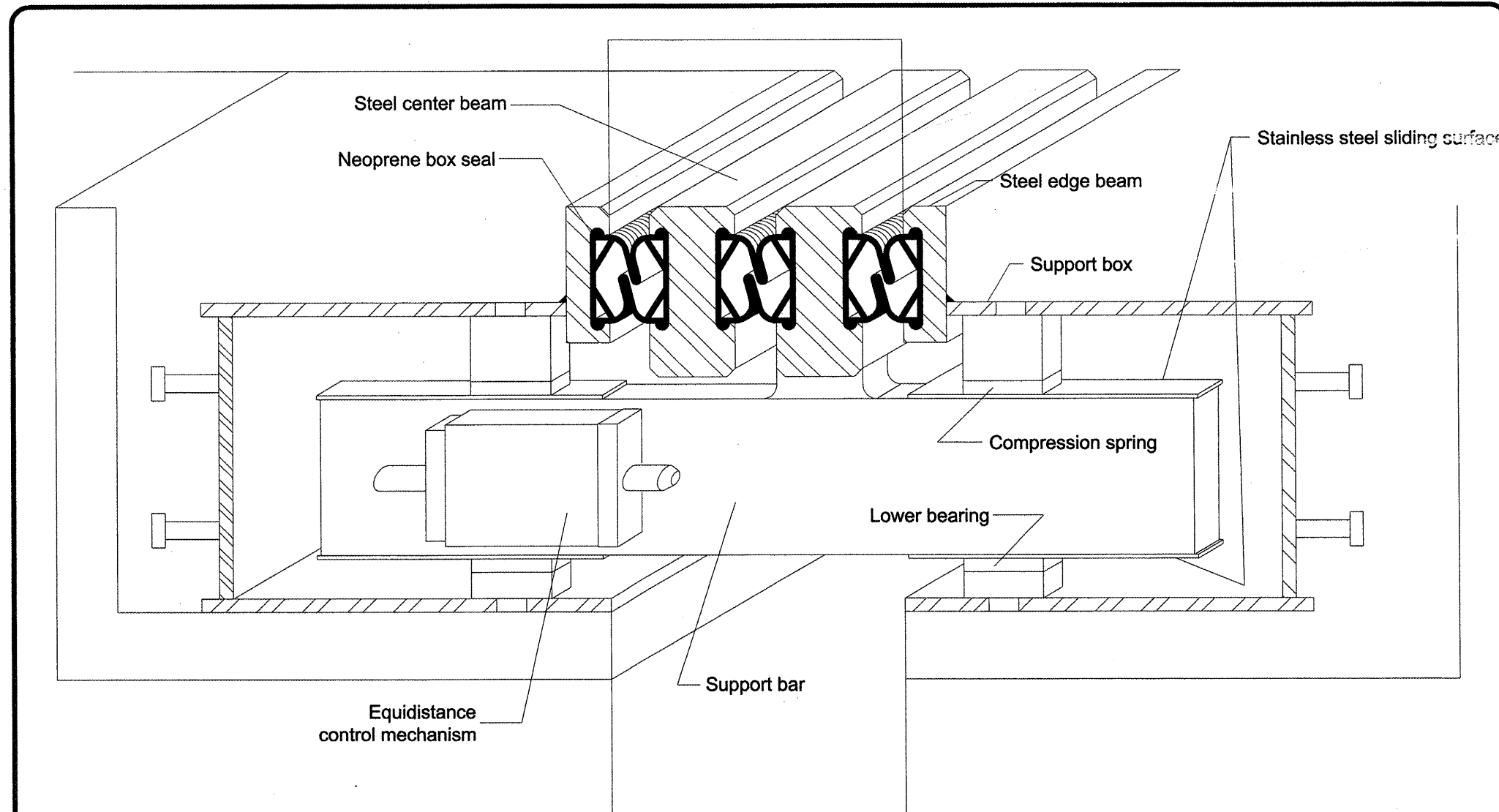


F.A.P. RTE.	SECTION	COUNTY	TOTAL SHEETS	SHEET NO.
693		TAZEWELL	82	39
IL 9				
FED. ROAD DIST. NO.		ILLINOIS	FED. AID PROJECT	

\*13R-1:(9)TS;(12B)I,I-1



**Design Features**

- Large movement system for use on heavy traffic conditions
- 30 year history of success
- Rugged design mechanically locks all seal profiles for water tightness
- Recommended for new installations and retrofit projects
- Engineered for durability and versatility
- Neoprene box seal provides double layer protection

DETAILED BY:	DATE:
CHECKED BY:	CURRENT ISSUE:
SHEET SIZE: A	SHEET NO. / DRAWING NO.

REVISIONS	
NAME	DATE

ILLINOIS DEPARTMENT OF TRANSPORTATION

**PROPOSED BRIDGE  
NEOPRENE JOINTS**

SCALE: VERT.  
HORIZ.  
DATE

DRAWN BY  
CHECKED BY