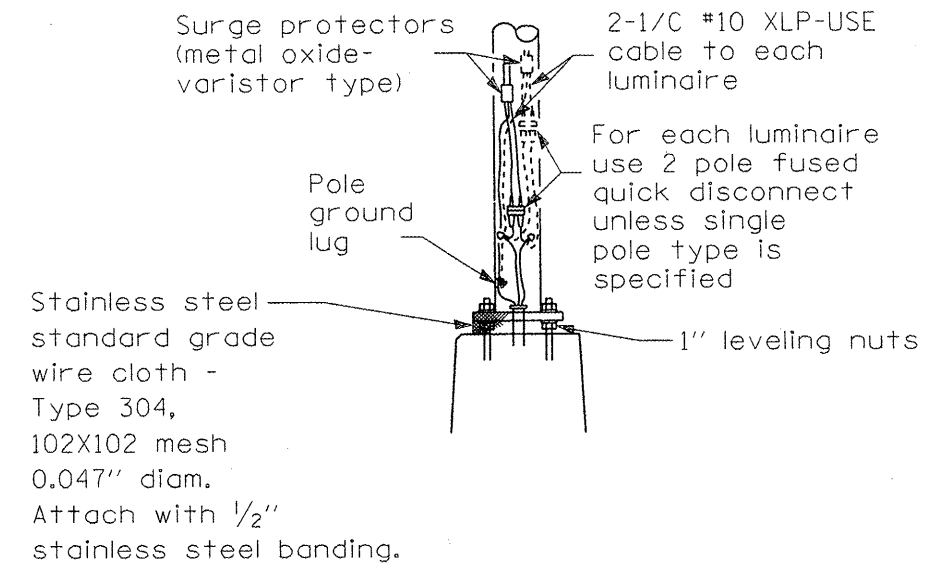
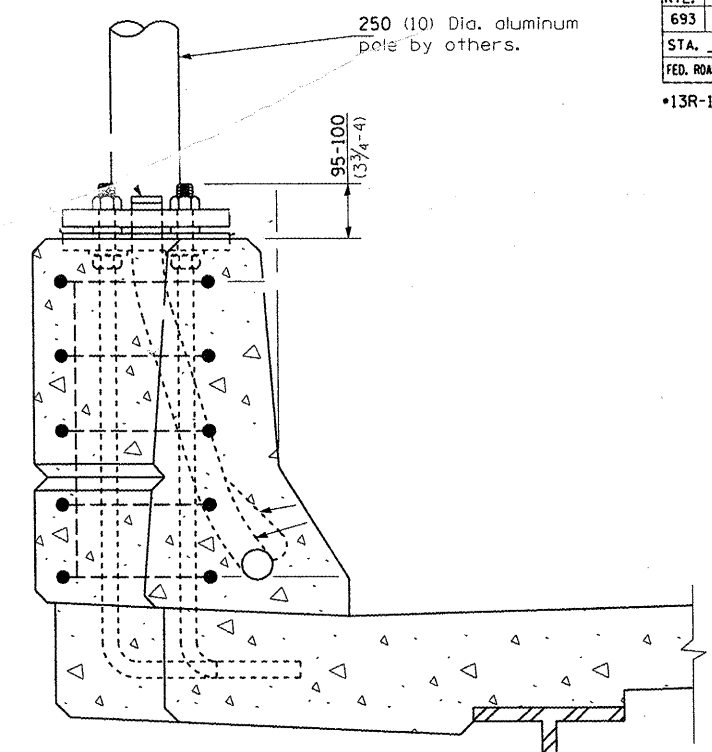


F.A.P. RTE.	SECTION	COUNTY	TOTAL SHEETS	SHEET NO.
693		TAZEWELL	82	49
STA. _____		TO STA. _____		
FED. ROAD DIST. NO. ILLINOIS FED. AID PROJECT				
*13R-1(9)TS;(12B)L,1-1				

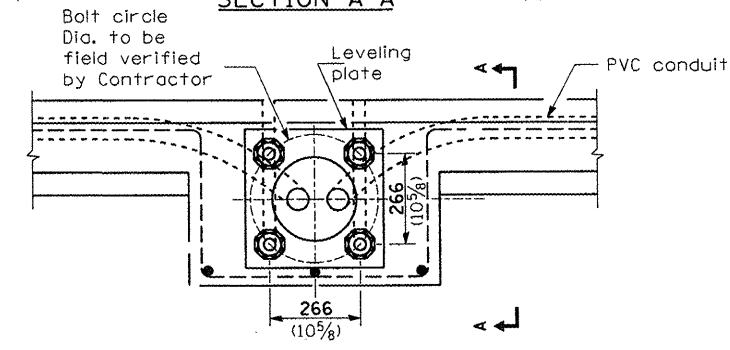
Pole Handhole Wiring Detail



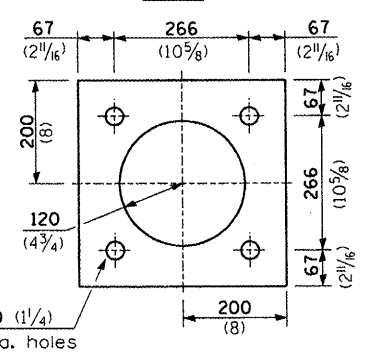
POLE HANDHOLE WIRING



SECTION A-A



PLAN

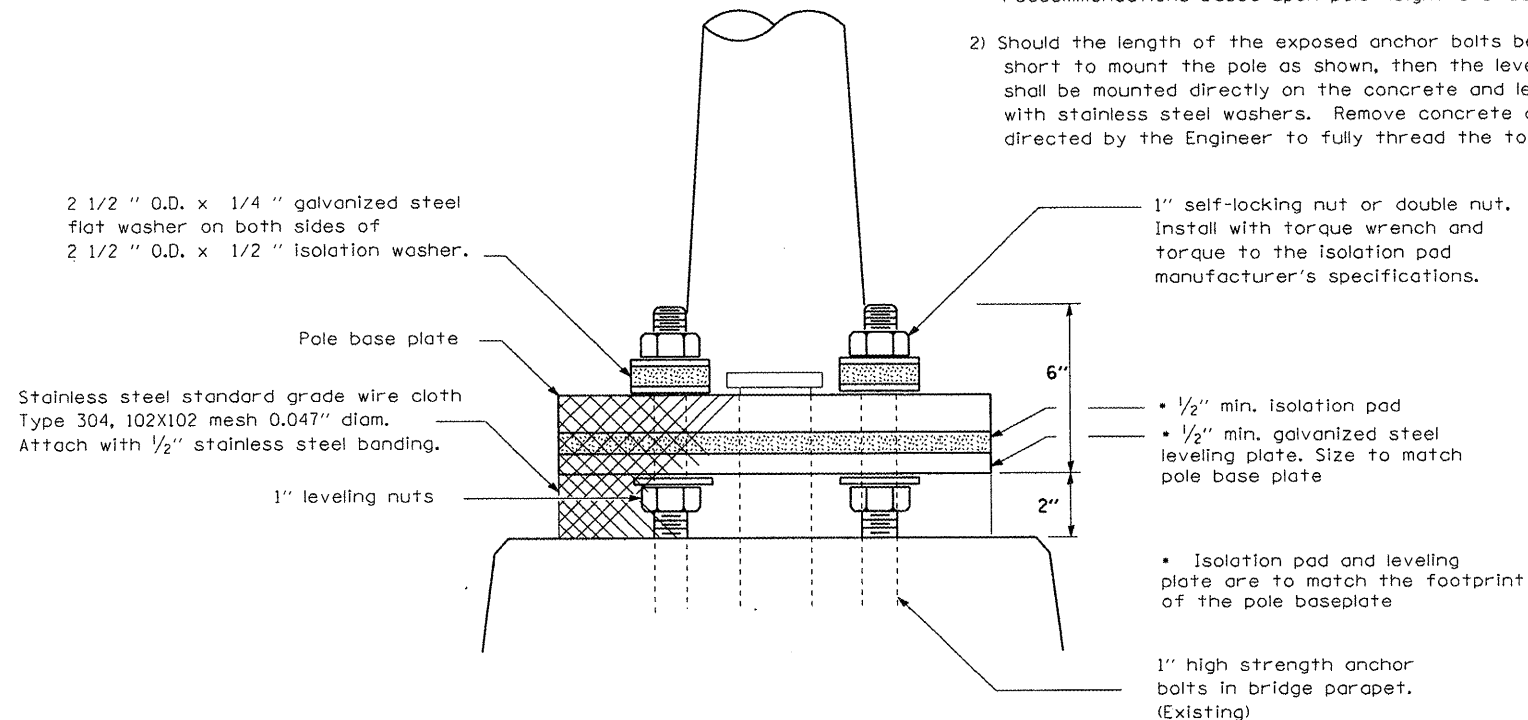


LEVELING PLATE DETAIL

Pole Mounted on Bridge Parapet Detail

Notes:

- 1) Thickness of isolation pad and washers shall be according to isolation pad manufacturer's recommendations based upon pole height and loading.
- 2) Should the length of the exposed anchor bolts be too short to mount the pole as shown, then the leveling plate shall be mounted directly on the concrete and leveled with stainless steel washers. Remove concrete as directed by the Engineer to fully thread the top nut.



OVERHEAD LIGHTING SHEET 3 OF 3

REVISIONS	
NAME	DATE

ILLINOIS DEPARTMENT OF TRANSPORTATION

IL 9 (MCNAUGHTON BRIDGE)

LIGHT POLE INSTALLATION

LEVELING PLATE AND

VIBRATION ISOLATION PAD DETAIL

SCALE: VERT. _____

HORIZ. _____

DATE _____

DRAWN BY _____

CHECKED BY _____

NOT TO SCALE

PLOT DATE: 3/28/2008
 FILE NAME: S:\GEN\DRG\TAS\TOP\PLNS\SQUAD9-NEVA\Active Contract\68608\IL 9 Parapet - plan.dwg
 PLOT SCALE: 1/8"=1'-0"
 USER NAME: Bruce